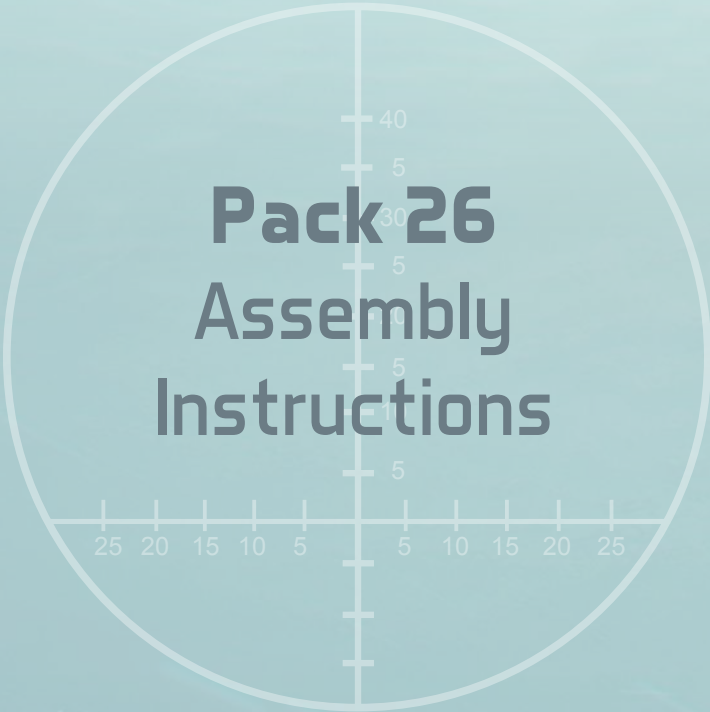


# U 96

---

# U-BOAT



## Pack 26 Assembly Instructions

**Kit 101: The fifth magnet**

**Kit 102: The next hull section**

**Kit 103 The sixth magnet**

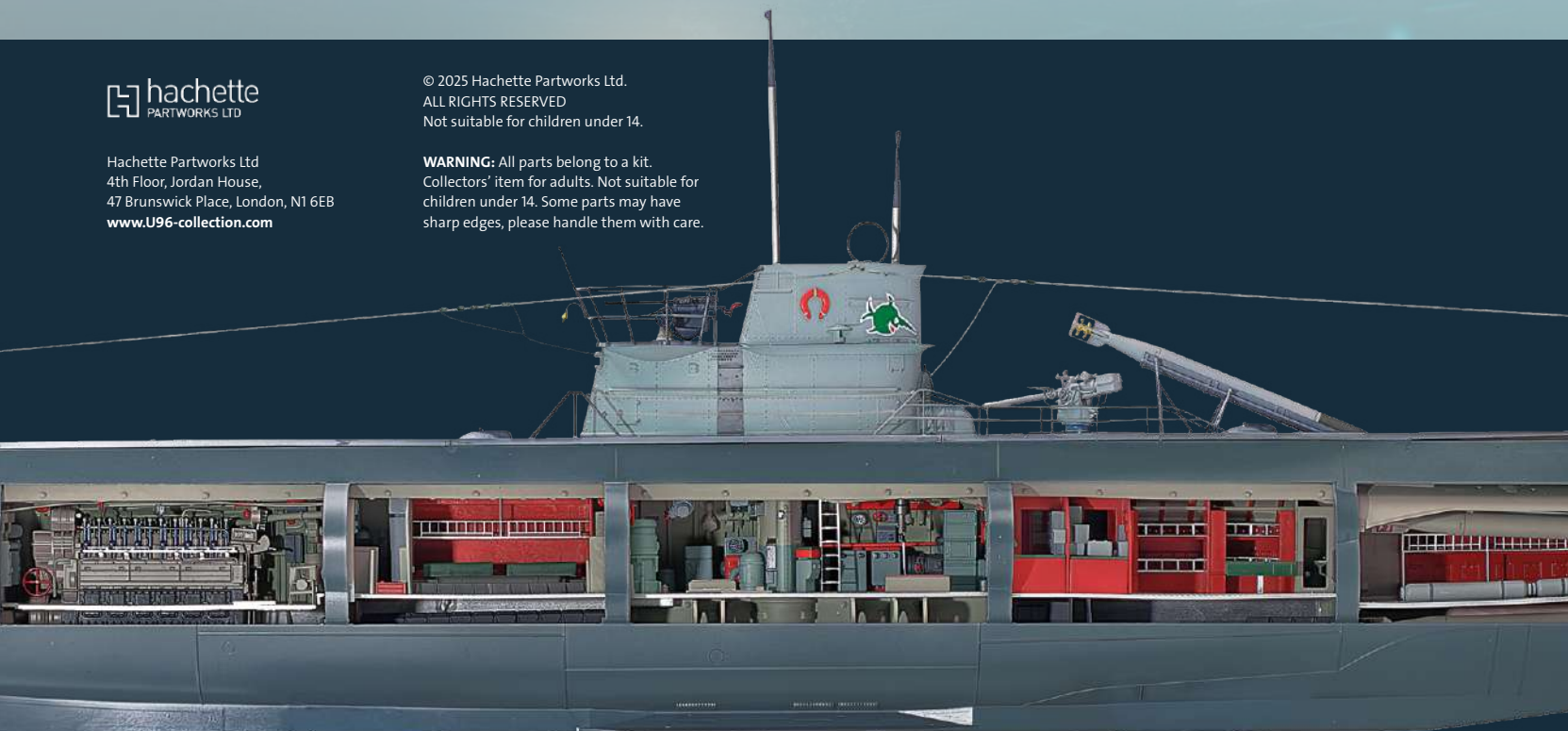
**Kit 104: The first propeller motor**

 **hachette**  
PARTWORKS LTD

Hachette Partworks Ltd  
4th Floor, Jordan House,  
47 Brunswick Place, London, N1 6EB  
[www.U96-collection.com](http://www.U96-collection.com)

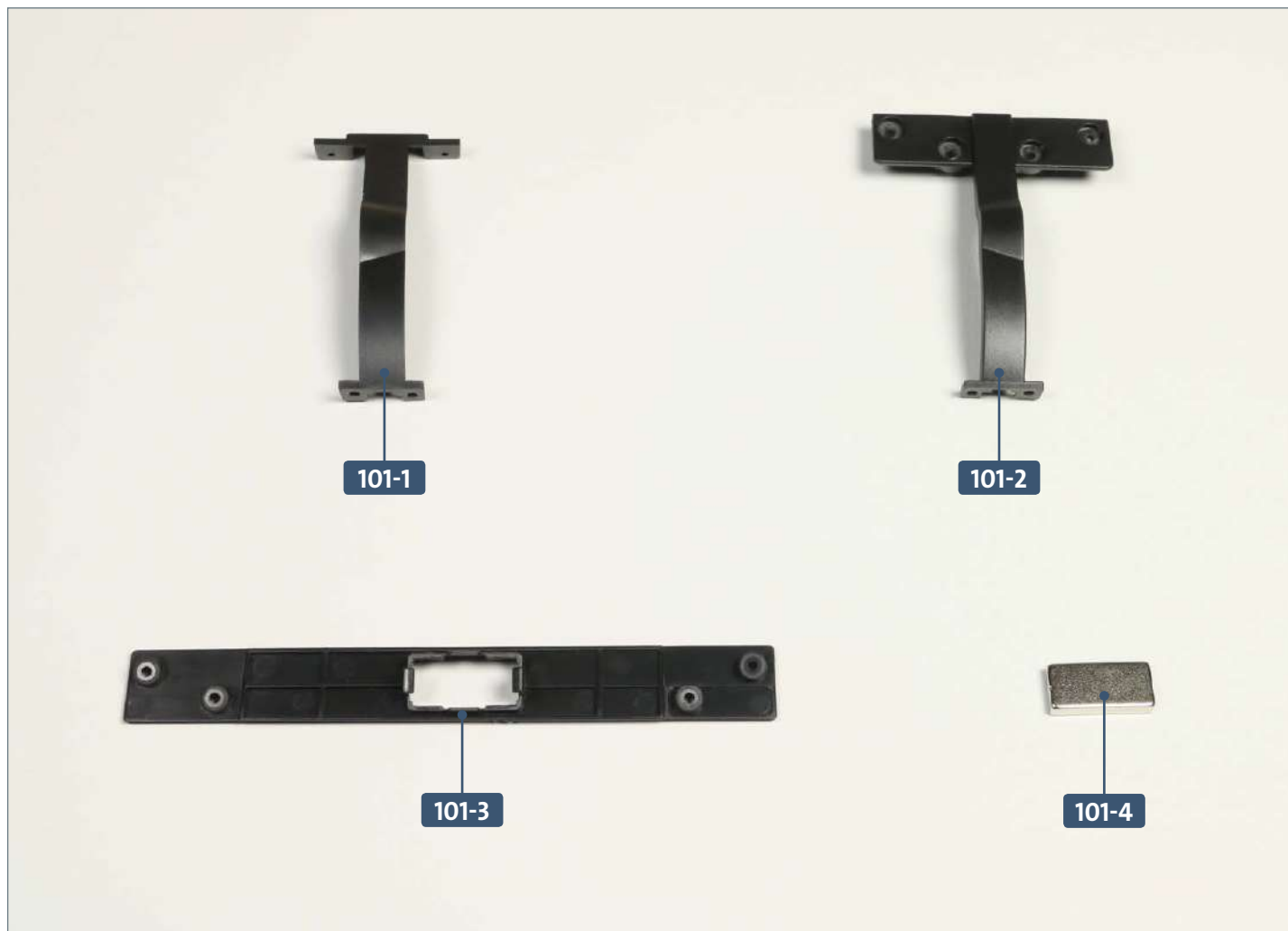
© 2025 Hachette Partworks Ltd.  
ALL RIGHTS RESERVED  
Not suitable for children under 14.

**WARNING:** All parts belong to a kit.  
Collectors' item for adults. Not suitable for  
children under 14. Some parts may have  
sharp edges, please handle them with care.

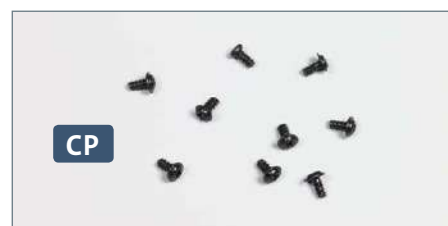


# Kit 101: The fifth magnet

In this kit, you will re-route a cable, before installing the diesel engine room within the main superstructure and securing it with connectors. The fifth magnet is fitted within its mounting plate, which is in turn connected to the main assembly.



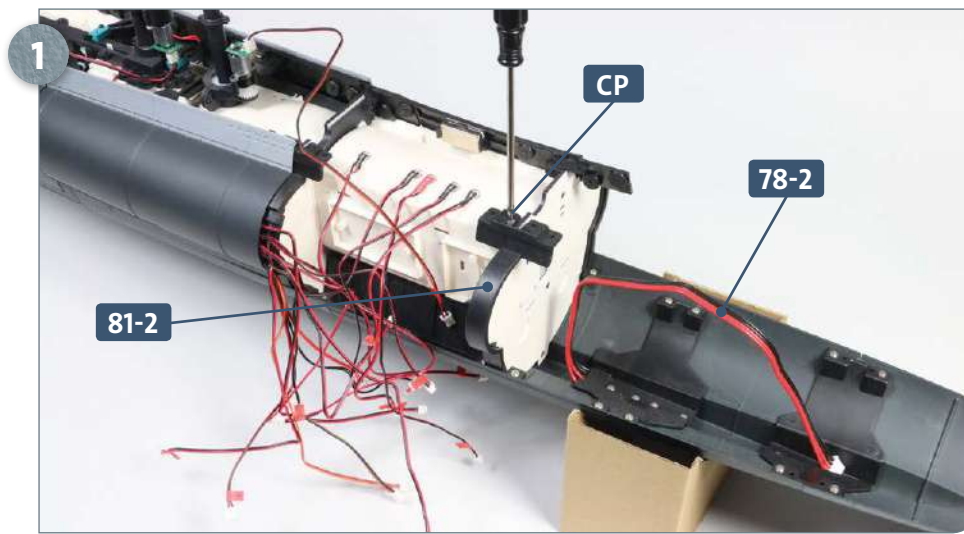
Parts reference list	
Part no.	Name
101-1	Connector
101-2	Connector
101-3	Mounting plate
101-4	Magnet



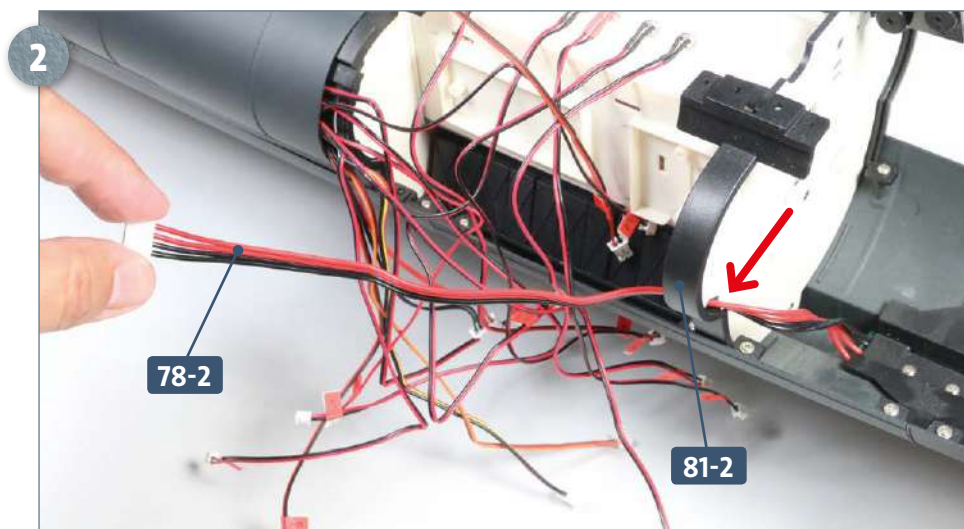
Screws		
Ref	No.	Dimensions
CP	8 + 1	2 x 4 mm

## Kit 101: The fifth magnet

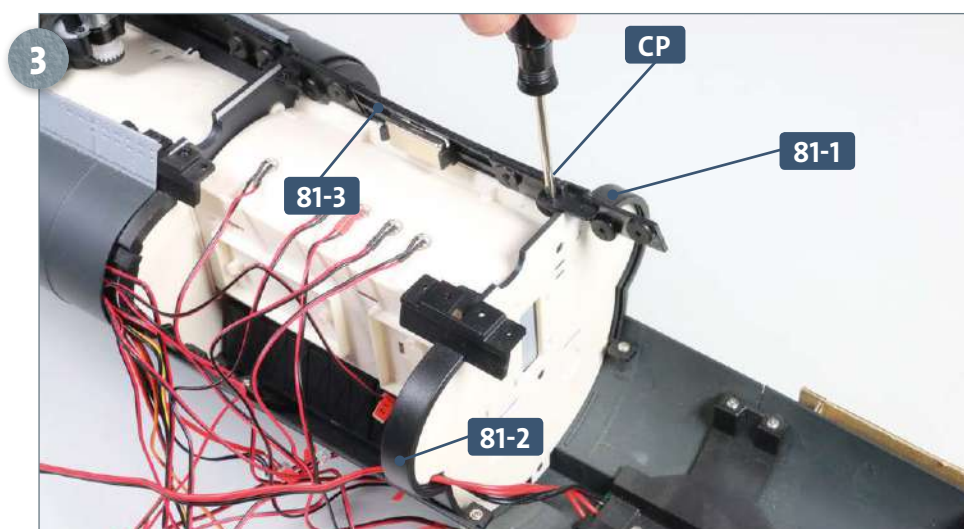
### STAGE 1 → Installing the diesel engine room



First locate the contact cable **78-2**, which has been left trailing freely, and route it forwards. To do this, loosen the **CP** screw that attaches connector **81-2** to the aft bulkhead of the fourth compartment.



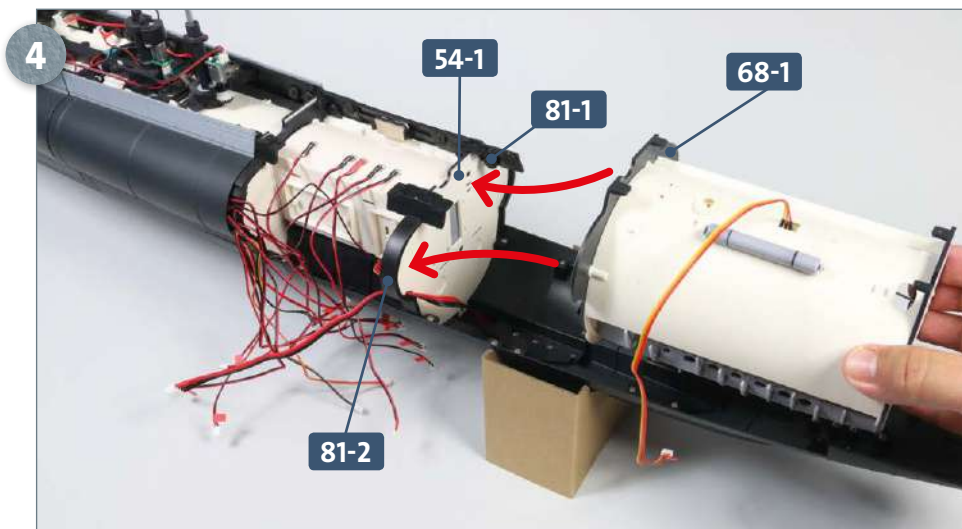
Bend the connector **81-2** outwards slightly and guide the contact cable **78-2** down from the top of the connector until it runs forwards through the recess in the bulkhead, as shown by the arrow. Before beginning the next step, we recommend reading through to the end of this section.



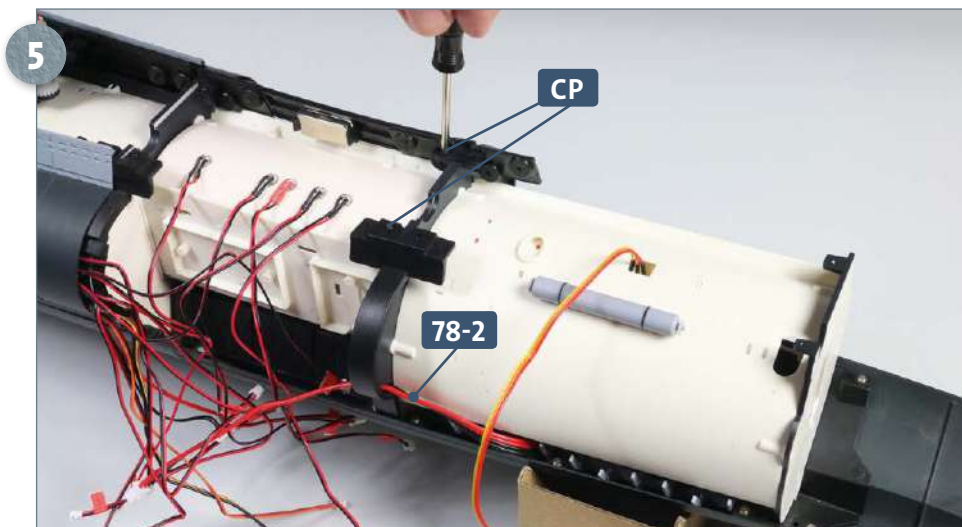
Next, prepare to install the diesel engine room. First loosen the **CP** screw that attaches connector **81-1** to the aft bulkhead of the fourth compartment. Now you can push both connectors outwards slightly and insert the diesel engine room.

**NOTE:** You can also temporarily remove the retaining plate **81-3** and connectors **81-1** and **81-2** completely from the hull structure. Simply loosen the corresponding screws. This will give you even more space to work with.

## Kit 101: The fifth magnet

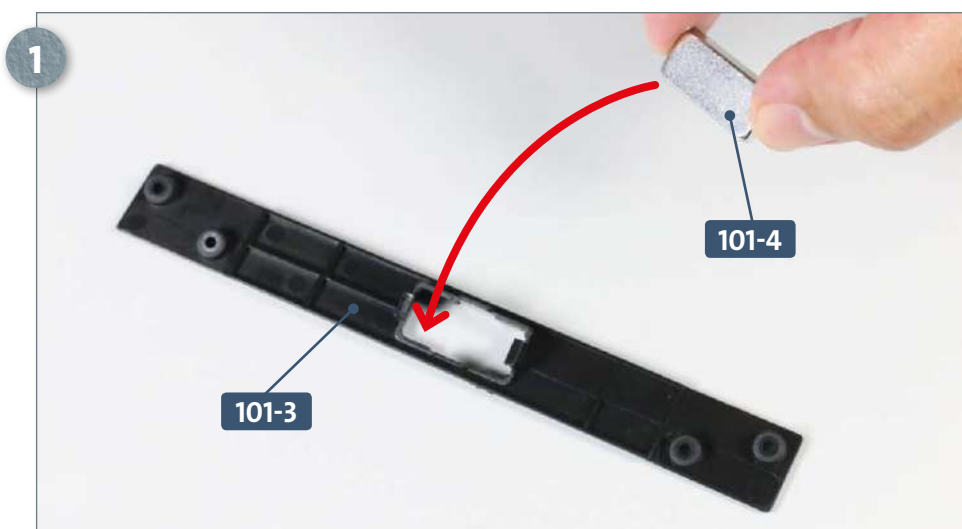


Take the diesel engine room assembly and fit its forward bulkhead **68-1** onto the aft bulkhead of the fourth compartment, **54-1**, as indicated by the arrows. As you do so, push connectors **81-1** and **81-2** slightly apart.



When the two bulkheads **68-1** and **54-1** sit flush against each other, refasten the two connectors using one **CP** screw on each. Make sure that the contact cable **78-2** continues to run forwards behind the deckhead of the diesel engine room, through the recess in the bulkhead, as shown, left.

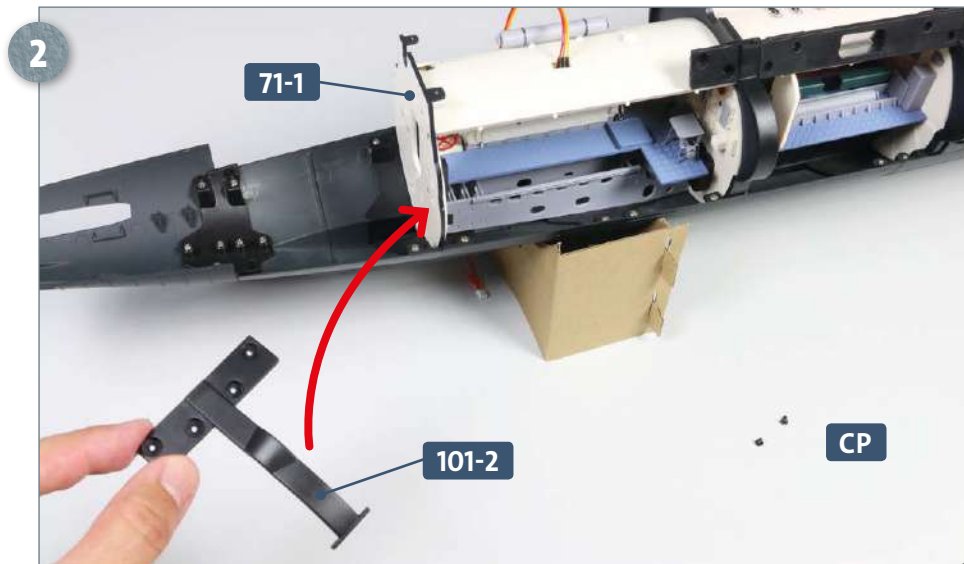
### STAGE 2 → Attaching the connector mounting plate



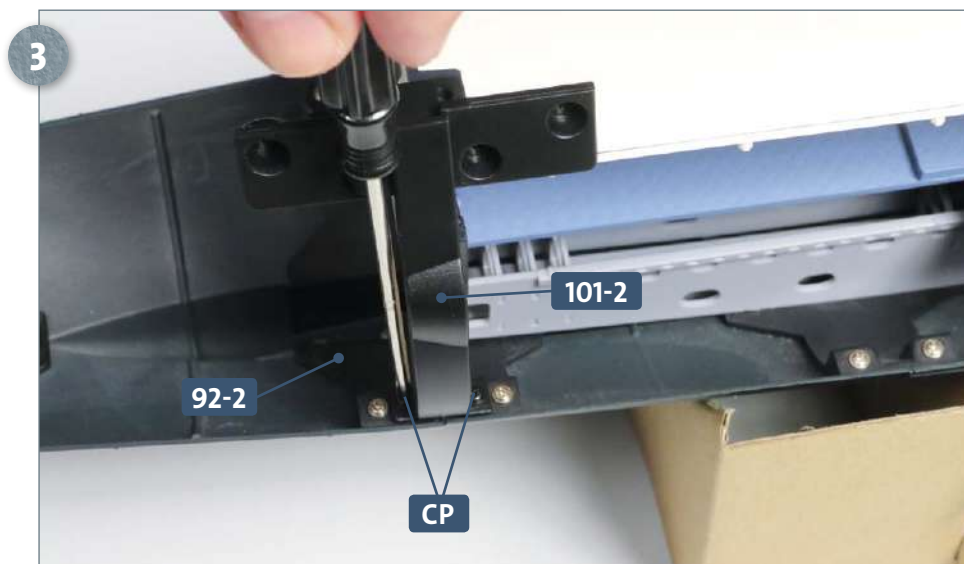
Place the mounting plate **101-3** on your work surface, with the back side facing upwards. Take the magnet **101-4** and slot it into the plate as shown by the arrow.



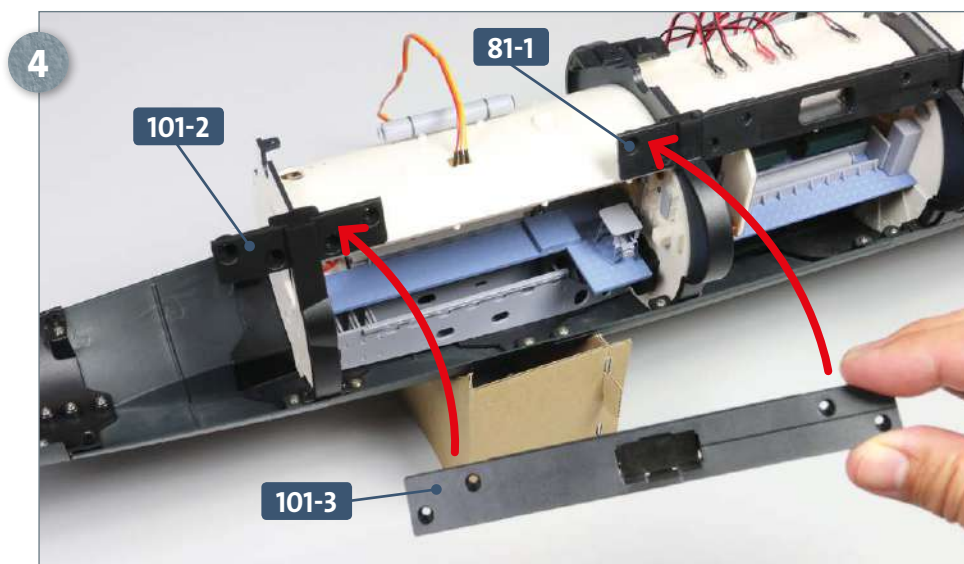
## Kit 101: The fifth magnet



Take the connector **101-2** and fit it to the starboard (R) side of the main assembly, to the aft bulkhead of the diesel engine room, **71-1**, as indicated by the arrow. Have ready two **CP** screws.

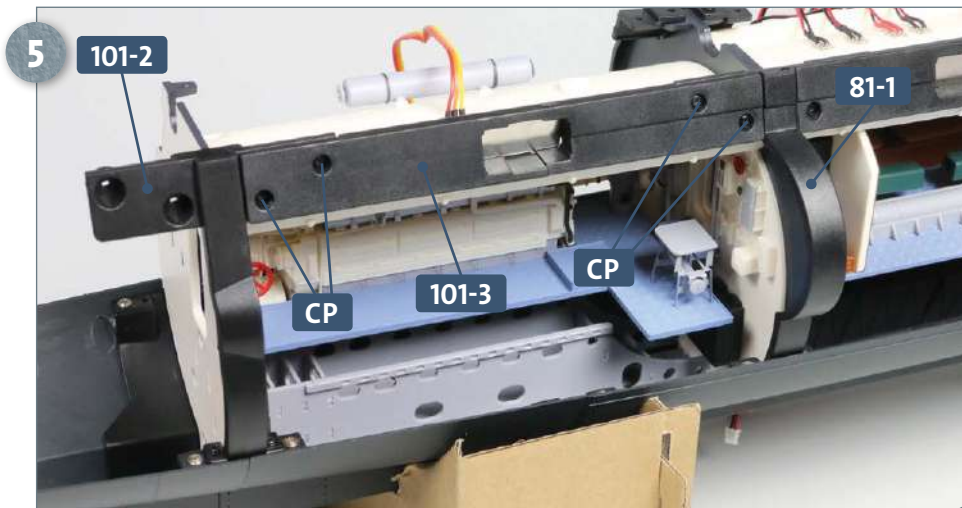


Attach connector **101-2** to connector **92-2**, which is already attached to the main structure, using two **CP** screws, as shown.

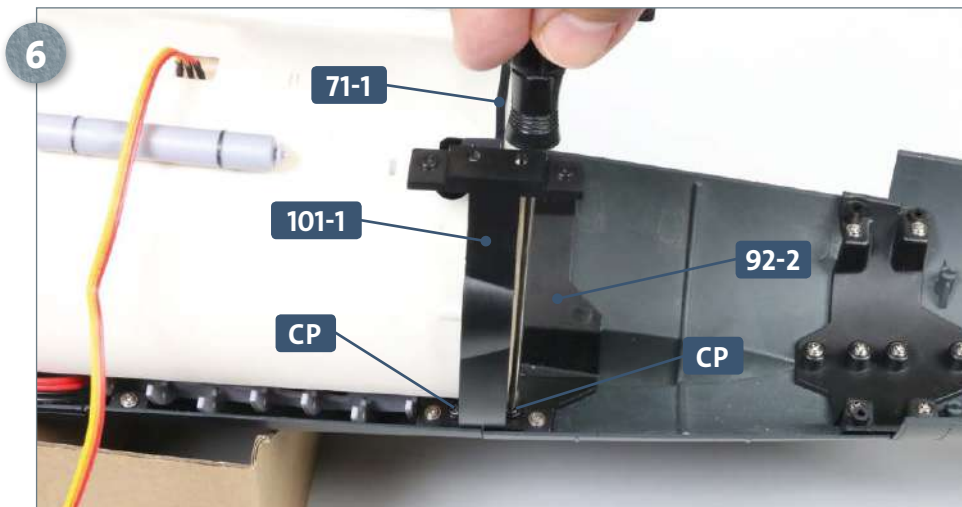


Take the mounting plate **101-3** and offer up its holes to the recesses in the two connectors, **81-1** and **101-2**, as indicated by the arrows.

## Kit 101: The fifth magnet



Attach the mounting plate **101-3** to connectors **81-1** and **101-2** using two **CP** screws at each end.



Now switch to the port (L) side of the hull assembly. Take connector **101-1** and insert it sideways on the aft bulkhead of the diesel engine room **71-1**. Attach connector **101-1** to connector **92-2** with two **CP** screws.

## COMPLETED WORK



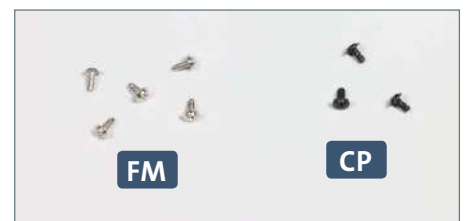
The diesel engine room has now been installed within the main hull assembly.

# Kit 102: The next hull section

In this kit, a new hull plate will be fitted with two connectors.



Parts reference list	
Part no.	Name
102-1	Port (L) hull section
102-2	Connector
102-3	Connector



Screws		
Ref	No.	Dimensions
FM	4 + 1	2 x 4 mm
CP	2 + 1	2 x 4 mm

**STAGE 1** → Attaching the connectors



Firstly, place the port (L) hull plate **102-1** (outside facing down), connector **102-2**, connector **102-3** and four **FM** screws on your work surface. Take the connector **102-2** and fit it onto the raised sockets on the hull plate, as indicated by the arrows.



Fasten the connector **102-2** to the aft end of the hull plate **102-1** with two **FM** screws.

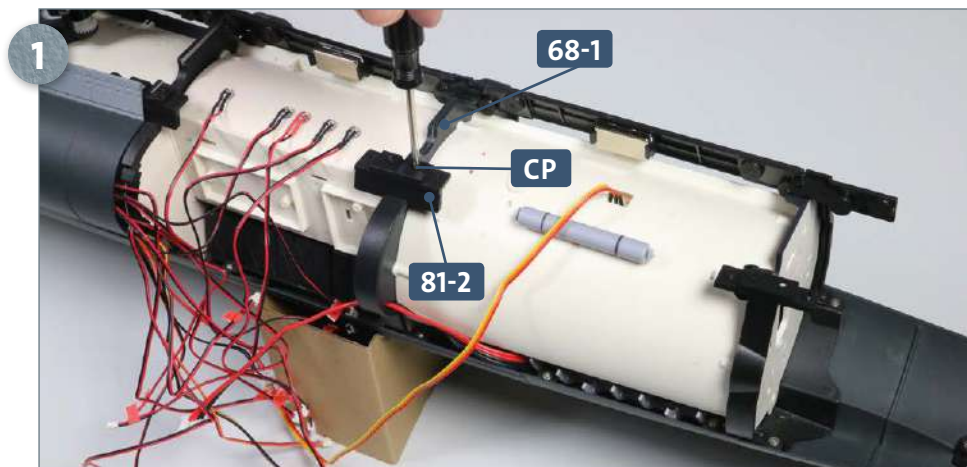


Fit connector **102-3** onto the mounts at the forward end of the hull plate **102-1** and fix in place using two **FM** screws.

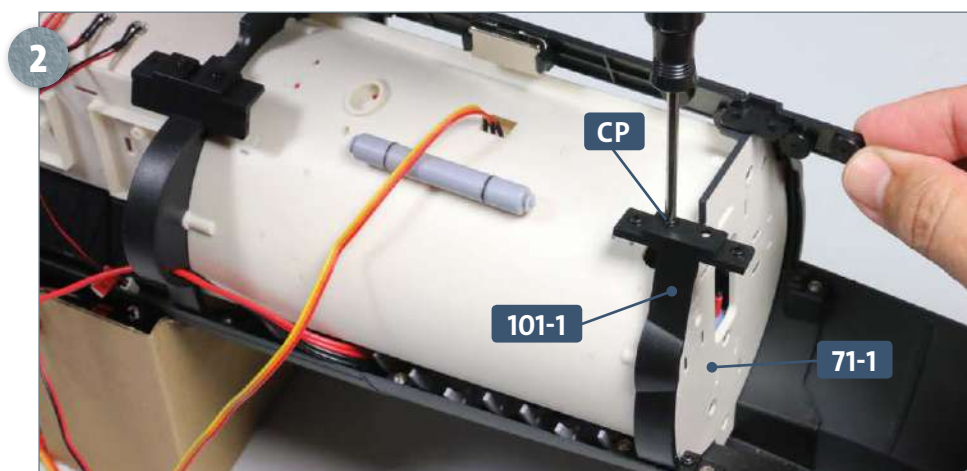


## Kit 102: The next hull section

### STAGE 2 → Two screws to be attached to the diesel engine compartment

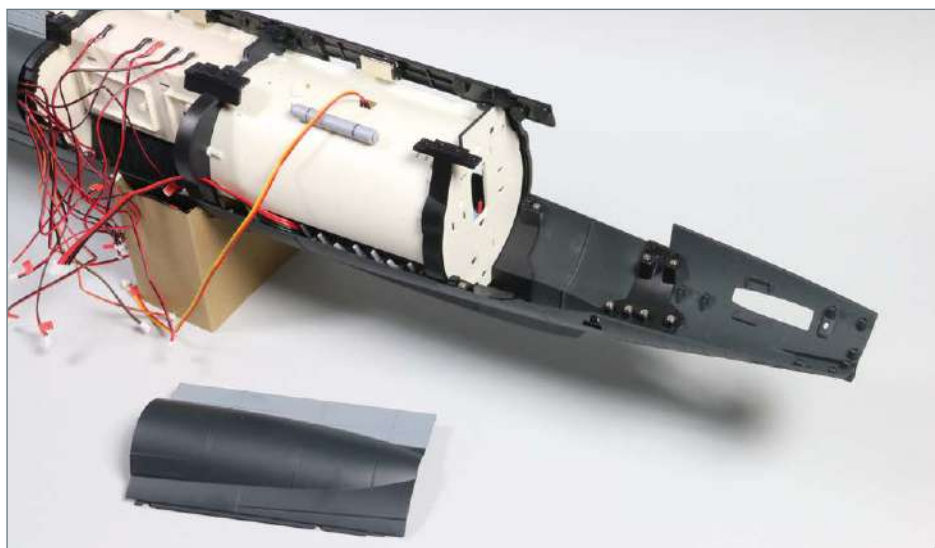


Place the main hull assembly on your work surface. Fasten connector **81-2** to the forward diesel compartment bulkhead **68-1** using a **CP** screw.



Use an additional **CP** screw to attach connector **101-1** to the aft diesel compartment bulkhead **71-1**.

### COMPLETED WORK



The hull plate that was supplied with this kit has been furnished with two connectors. In addition, screws have now been added to secure the attachment of the diesel engine room to surrounding connectors.

# Kit 103: The sixth magnet

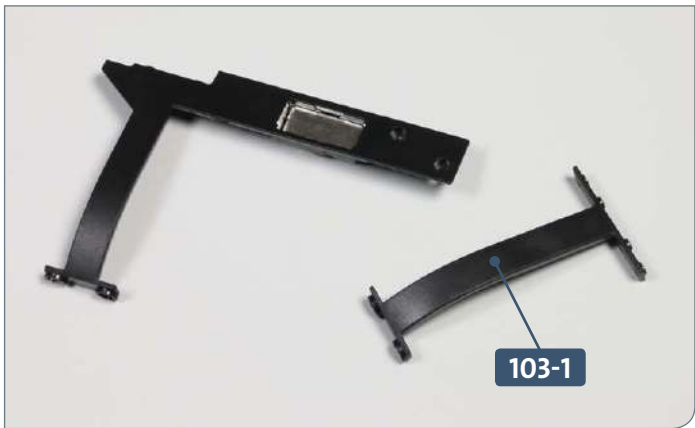
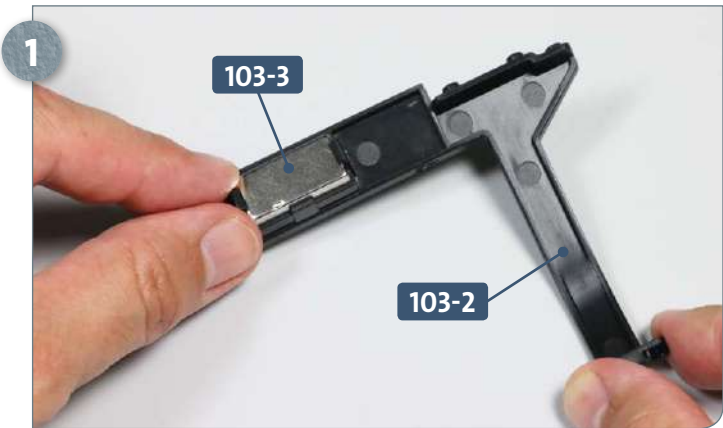
In this kit, a sixth magnet is fitted in its mounting plate. The two supplied connecting parts will be attached to the main assembly as part of kit 108's build.



Parts reference list	
Part no.	Name
103-1	Connector
103-2	Connector with mounting plate
103-3	Magnet

## STAGE 1 → Inserting the magnet

## COMPLETED WORK



Place the mounting plate 103-2 on your work surface, with the back side facing upwards. Take the magnet 103-3 and insert into the slot on the mounting plate, as shown above.

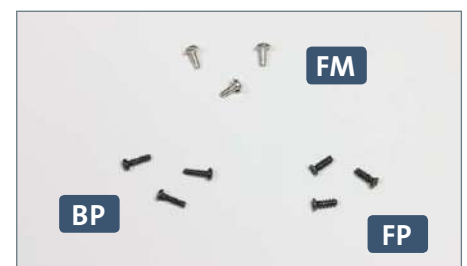
**The magnet has now been successfully fitted. Keep this and connector 103-1 somewhere safe, for future use.**

# Kit 104: The first propeller motor

In this kit, the motor for the port (L) propeller is fitted with an extension cable, a cog is fitted onto the hub of the motor, and the motor is screwed onto its housing.

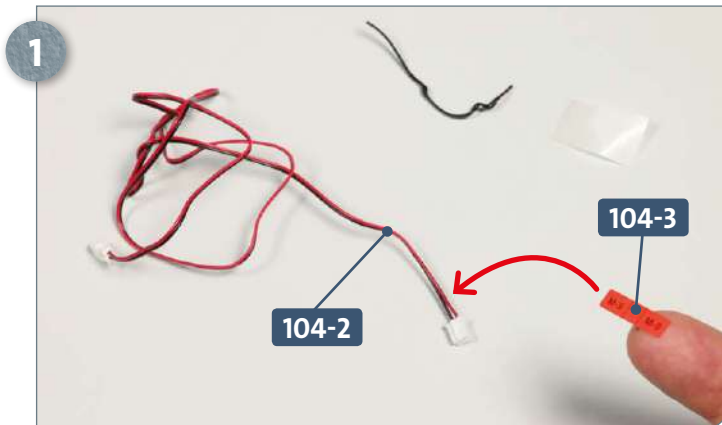


Parts reference list	
Part no.	Name
104-1	Motor
104-2	Cable
104-3	Cable label
104-4	Cog
104-5	Housing
104-6	Housing
104-7	Housing

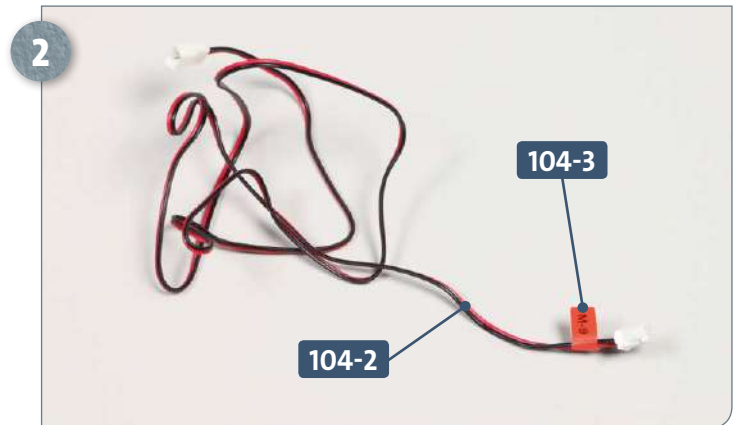


Screws		
Ref	No.	Dimensions
FM	2 + 1	2 x 4 mm (PWM)
BP	2 + 1	1.7 x 6 mm (PB)
FP	2 + 1	2 x 6 mm (KB)

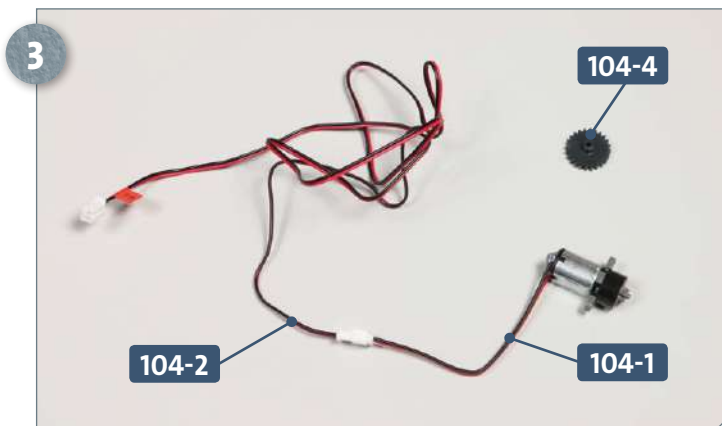
## STAGE 1 → Port (L) side propeller motor



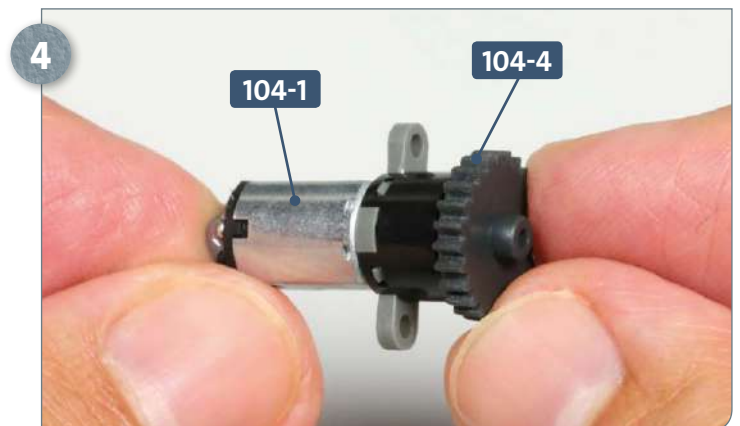
Remove the tie from the cable **104-2** and note that there is a plug at one end and a socket at the other. Detach the cable label **104-3** printed with **M-9** from the backing film and guide it towards the end with a plug, as shown.



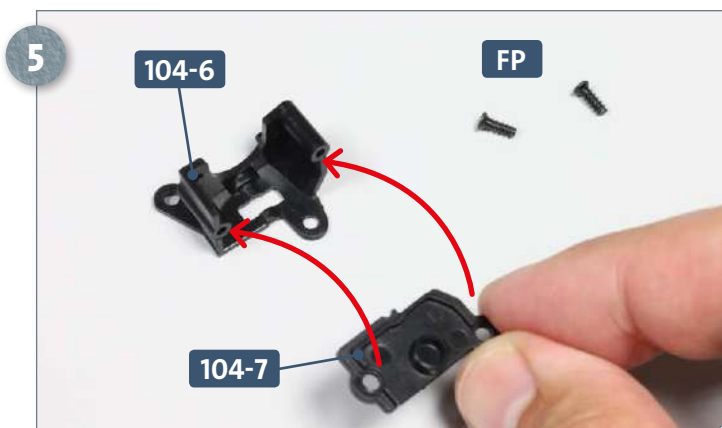
Stick the cable label **104-3** to the cable **104-2**, approximately 8mm from the end with a plug.



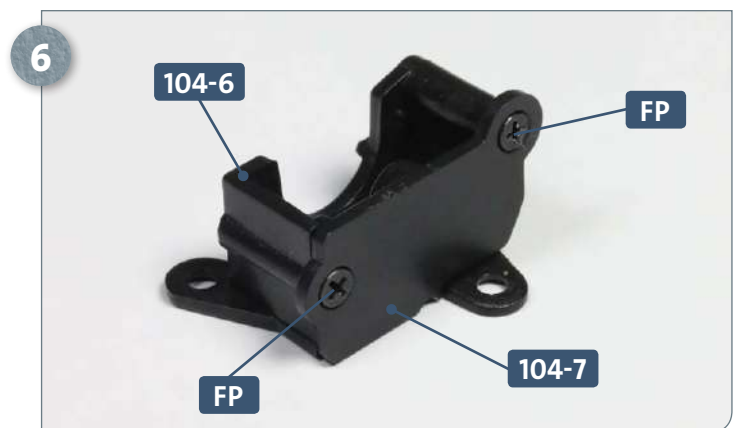
Take the motor **104-1** and fit the plug of its cable to the socket of cable **104-2**, as pictured. Have ready cog **104-4**.



Fit the cog **104-4** onto the hub of motor **104-1**.

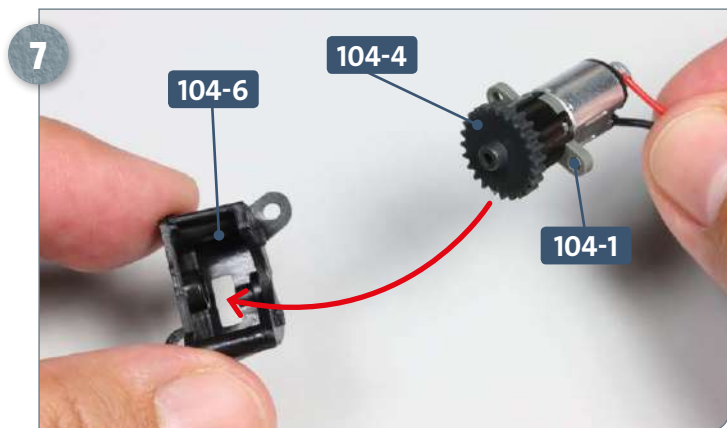


Have ready the two parts of motor housing **104-6** and **104-7**, along with two **FP** screws. Fit part **104-7** onto the side of part **104-6**, so that their holes align.

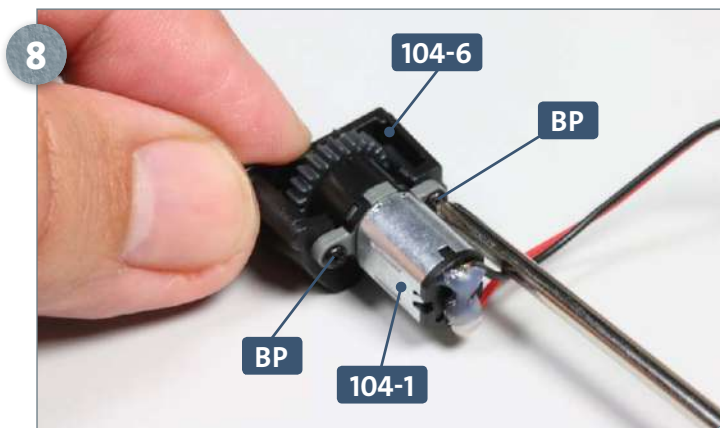


Attach the two parts **104-6** and **104-7** together using two **FP** screws.

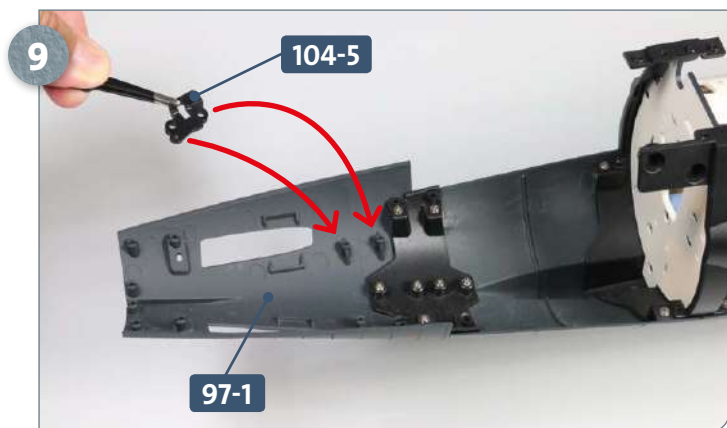
## Kit 104: The first propeller motor



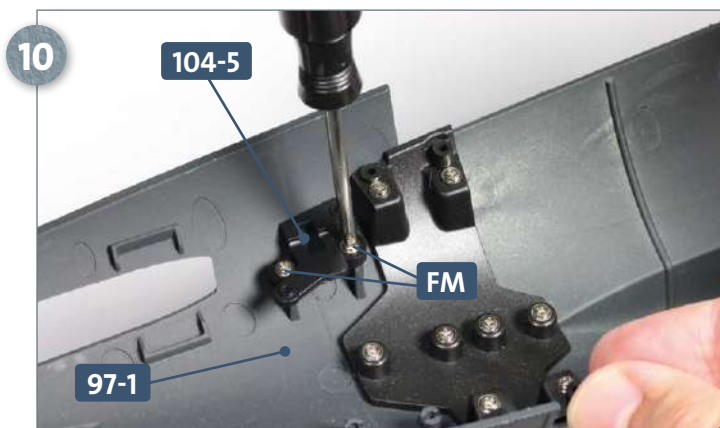
Take the motor **104-1** and fit the attached cog **104-4** into the recess in the housing **104-6**, as indicated by the arrow.



Attach the motor **104-1** to the housing **104-6** using two **BP** screws.

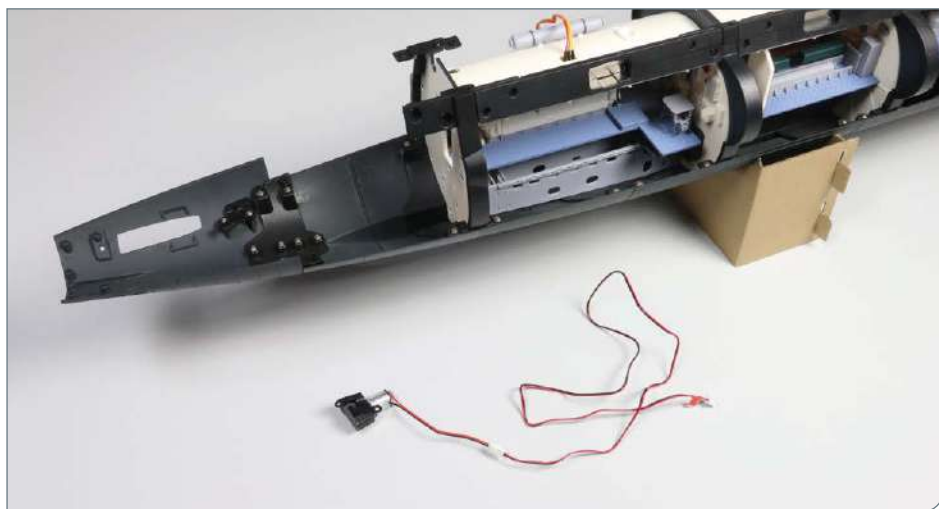


Place the main assembly on your work surface. Fit the housing **104-5** onto the two raised sockets on the port (L) side of the lower hull section **97-1**, as shown by the arrows.



Fix part **104-5** to the lower fuselage section **97-1** using two **FM** screws.

## COMPLETED WORK



The motor of the port (L) side propeller has now been inserted into housing and connected to a cable. Another piece of housing has also been attached to the main assembly. The motor itself will be installed in the next kit.