

 hachette  
PARTWORKS LTD

# U 96

---

# U-BOAT

Pack 22

Kits 85-88

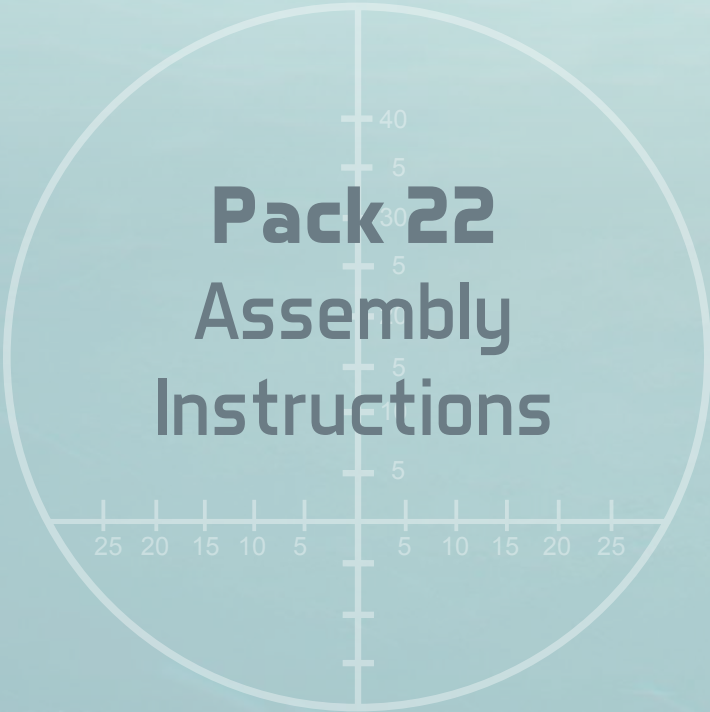


**BUILD THE ICONIC WORLD WAR II U-BOAT**

# U 96

---

# U-BOAT



## Pack 22 Assembly Instructions

**Kit 85: Torpedo tube 5**

**Kit 86: Port electric motor**

**Kit 87: Another torpedo**

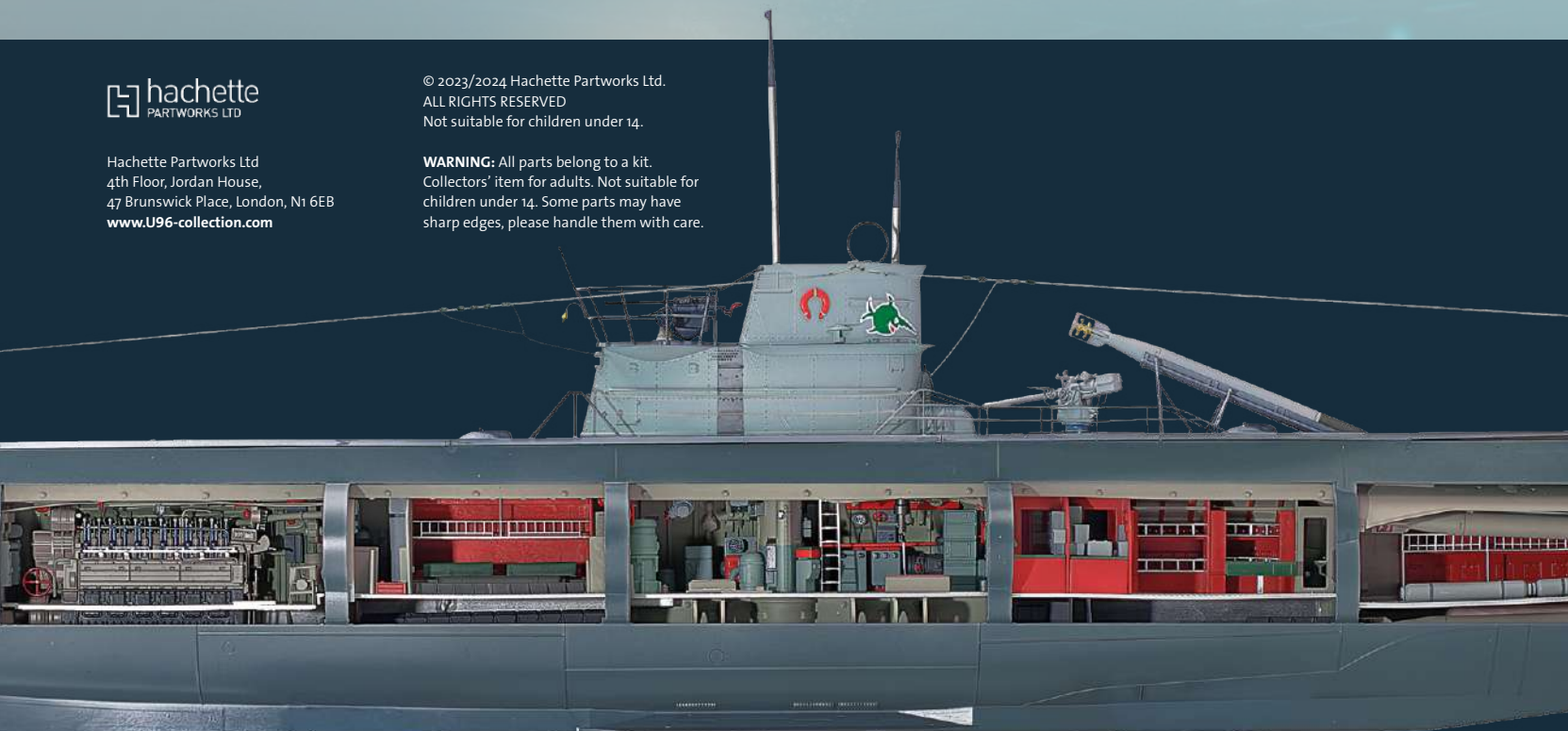
**Kit 88: Hull section**



Hachette Partworks Ltd  
4th Floor, Jordan House,  
47 Brunswick Place, London, N1 6EB  
[www.U96-collection.com](http://www.U96-collection.com)

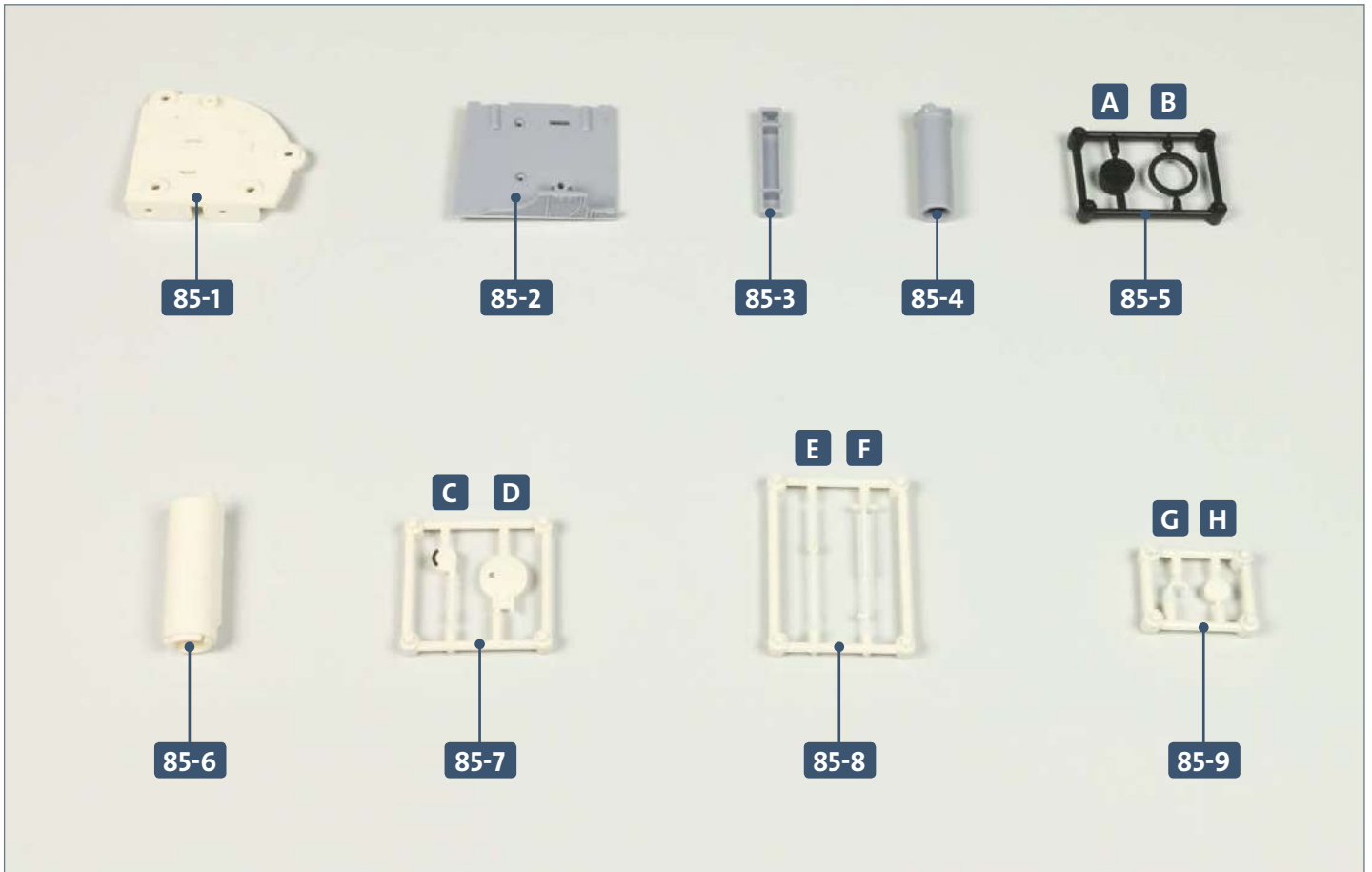
© 2023/2024 Hachette Partworks Ltd.  
ALL RIGHTS RESERVED  
Not suitable for children under 14.

**WARNING:** All parts belong to a kit.  
Collectors' item for adults. Not suitable for  
children under 14. Some parts may have  
sharp edges, please handle them with care.



# Kit 85: Torpedo tube 5

In this kit, you will assemble various components of the electric motor room. Torpedo tube 5 will be built and attached to the endplate, and a bracket and compressed air cylinder attached to the ballast tank plate.

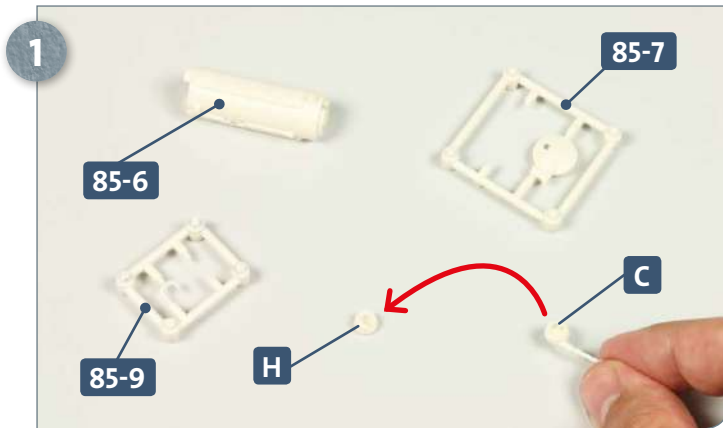


Parts reference list	
Part no.	Name
85-1	Endplate
85-2	Ballast tank plate
85-3	Torpedo tube bracket
85-4	Compressed air cylinder
85-5	Frame (A, B)
85-6	Torpedo tube 5
85-7	Torpedo tube cover and changeover valve (C, D)
85-8	Lines (E, F)
85-9	Frame (G, H)

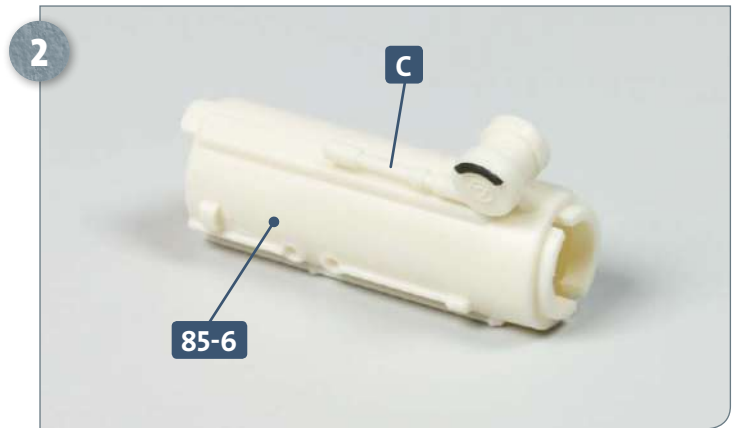


# Kit 85: Torpedo tube 5

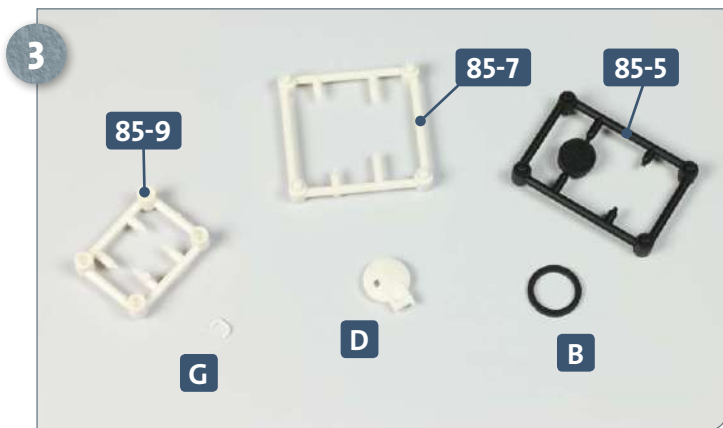
## STAGE 1 → Working on the torpedo tube and ballast tank



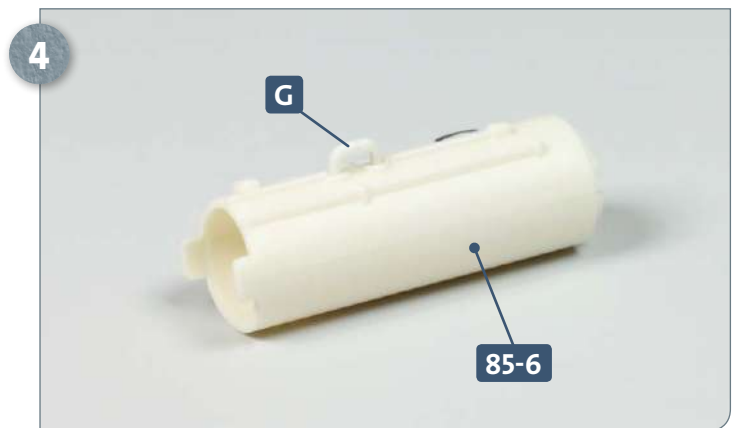
Have ready the torpedo tube 85-6. Detach part H from frame 85-9 and the changeover valve C from frame 85-7. Apply some glue to the edge of part C and attach it to part H, as pictured above and in the next step. Note that the notch in parts C and H align to form a slot.



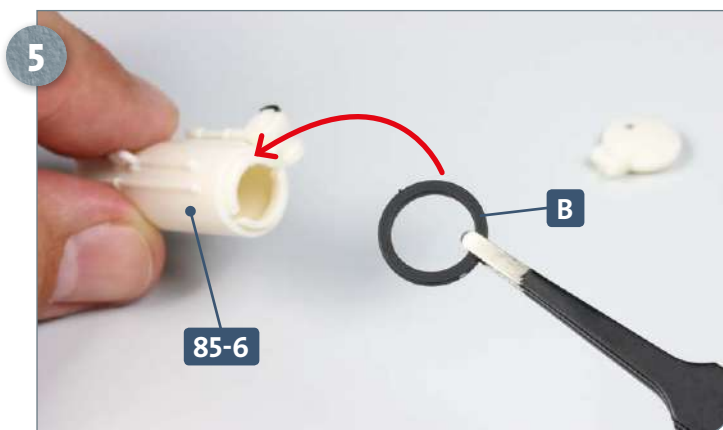
Glue the assembled changeover valve C/H to the torpedo tube 85-6, as shown above.



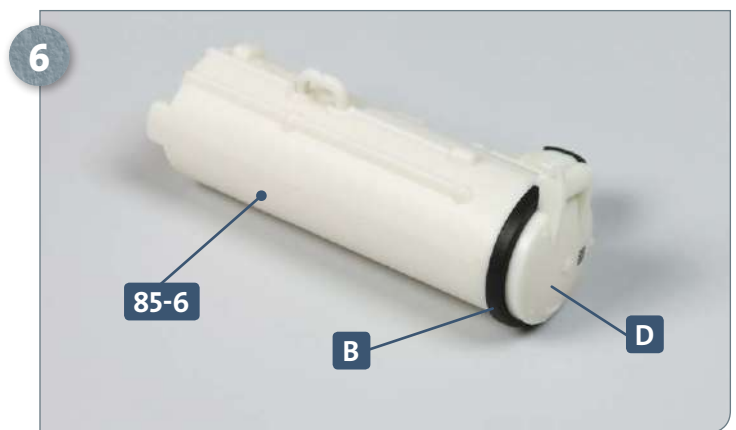
Remove part G from frame 85-9, the torpedo tube cover D from frame 85-7 and part B from frame 85-5, as pictured.



Apply some glue to both ends of part G and insert them into the small holes in the torpedo tube 85-6, as shown.

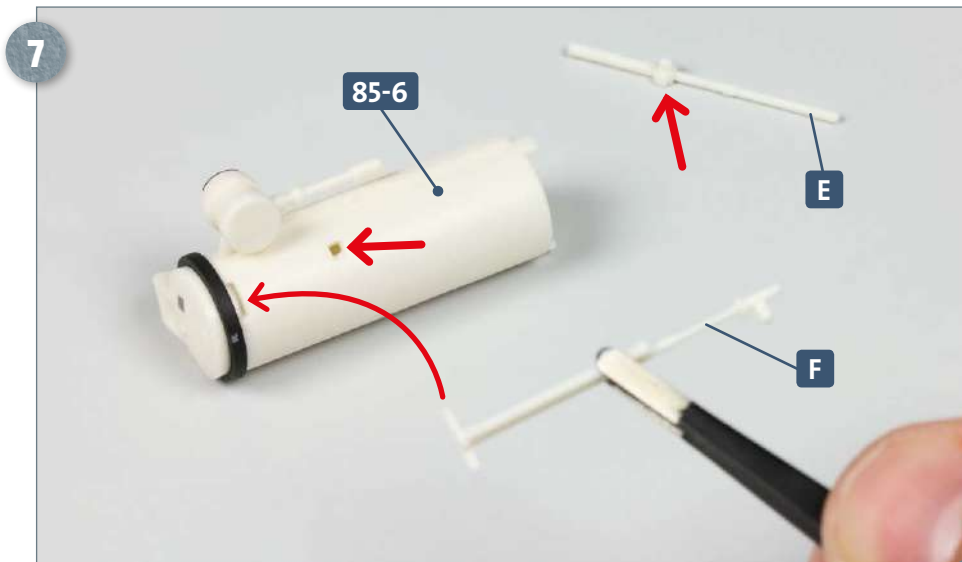


Apply a small amount of glue to the inner part of B and attach it to the end of the torpedo tube 85-6, as indicated by the arrow.

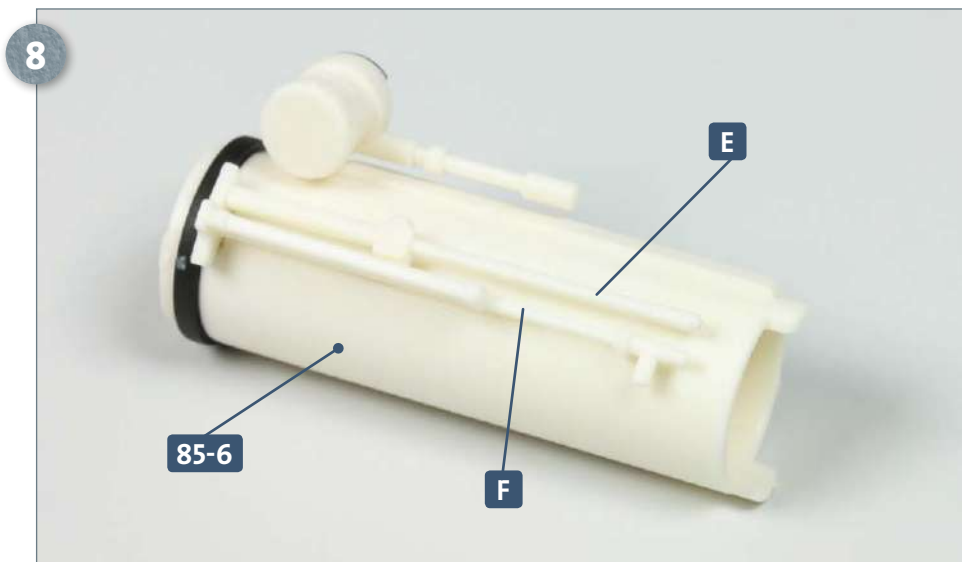


Apply some glue to the edge of the inside of the torpedo tube cover D and attach it to part B or to torpedo tube 85-6, as shown above.

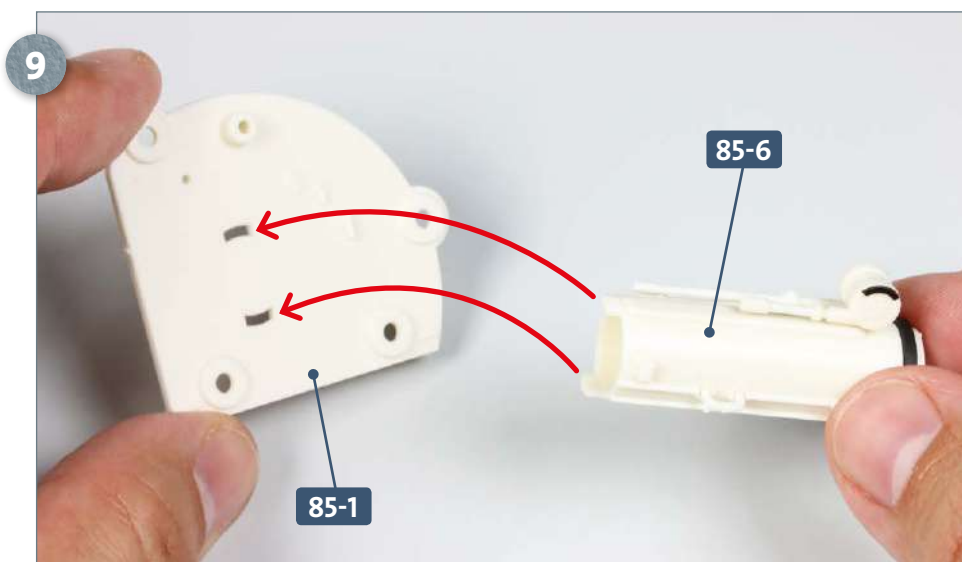
## Kit 85: Torpedo tube 5



Remove lines **E** and **F** from frame **85-8**. Apply a little glue to the wide end of **F** then insert into the recess on torpedo tube **85-6**, as indicated by the curved arrow. The two straight arrows point to the places where line **E** is connected to the torpedo tube.



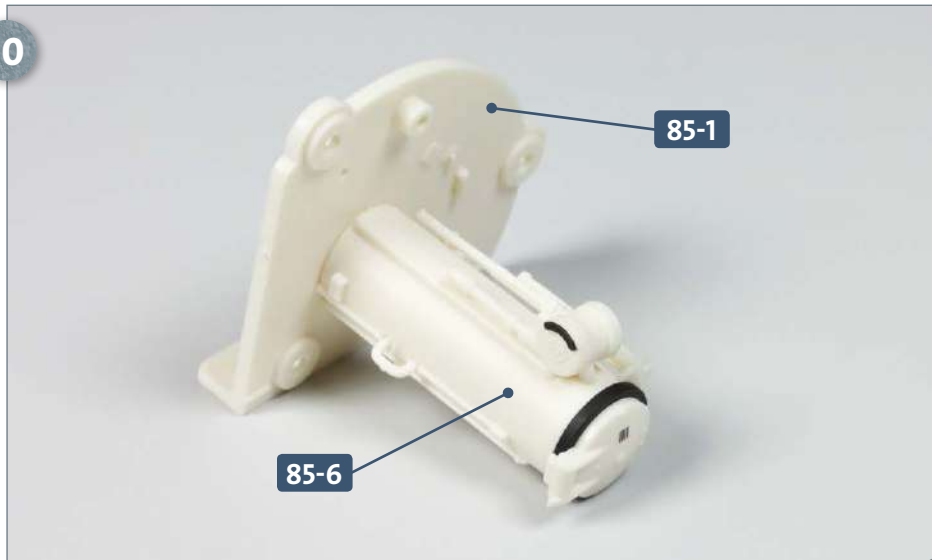
This photo shows lines **E** and **F** correctly attached to the torpedo tube **85-6**.



Apply some glue to the two wide pegs at the end of the torpedo tube **85-6** then insert into the slots on the end of the endplate **85-1**, as indicated by the two arrows.

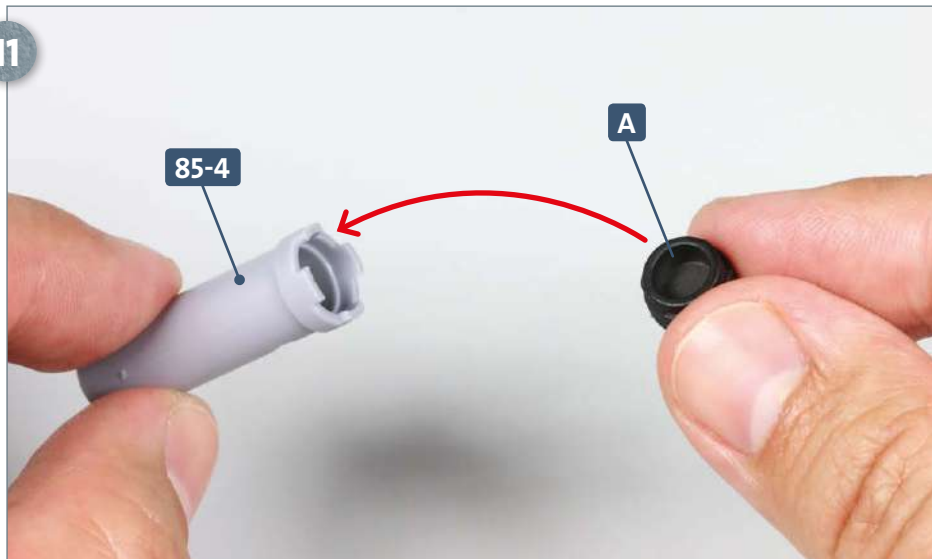
## Kit 85: Torpedo tube 5

10



This photo shows the torpedo tube 85-6 attached to the endplate 85-1.

11



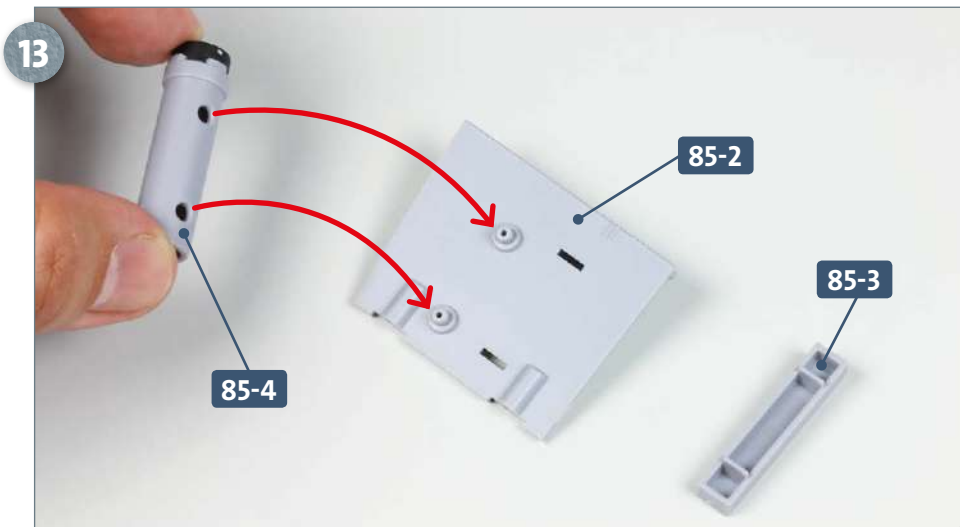
Detach part A from frame 85-5. Apply a small amount of glue to the edge of part A, then insert into the wider end of the compressed air cylinder 85-4, as shown.

12

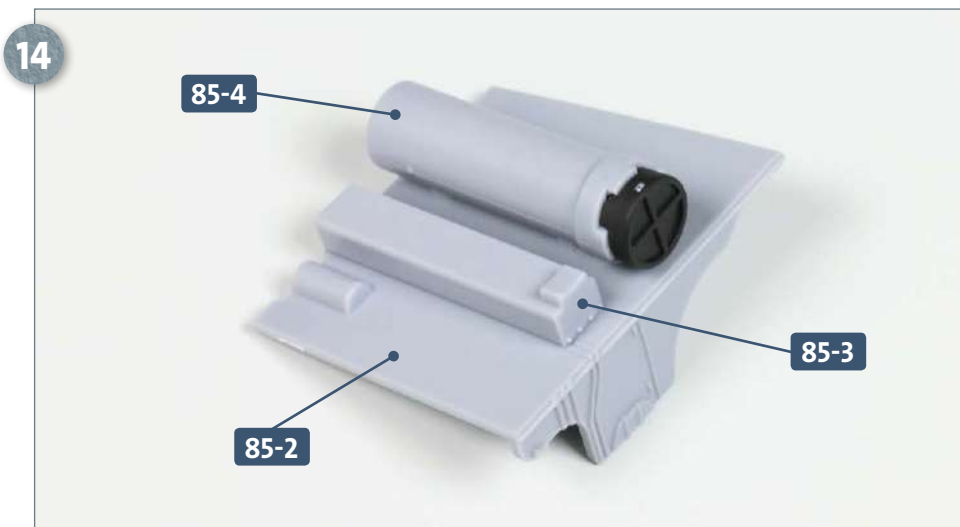


This photograph shows part A attached to the air cylinder 85-4.

## Kit 85: Torpedo tube 5



Place the ballast tank plate **85-2** and bracket **85-3** on your work surface. Apply a little glue to the two pegs on the plate (indicated by the two arrows) before fitting the mounts of the compressed air cylinder **85-4** onto them.



After fitting the compressed air cylinder **85-4** to the ballast plate **85-2**, apply some glue to the two long pegs on the underside of bracket **85-3** and insert them into the slots of the ballast plate.

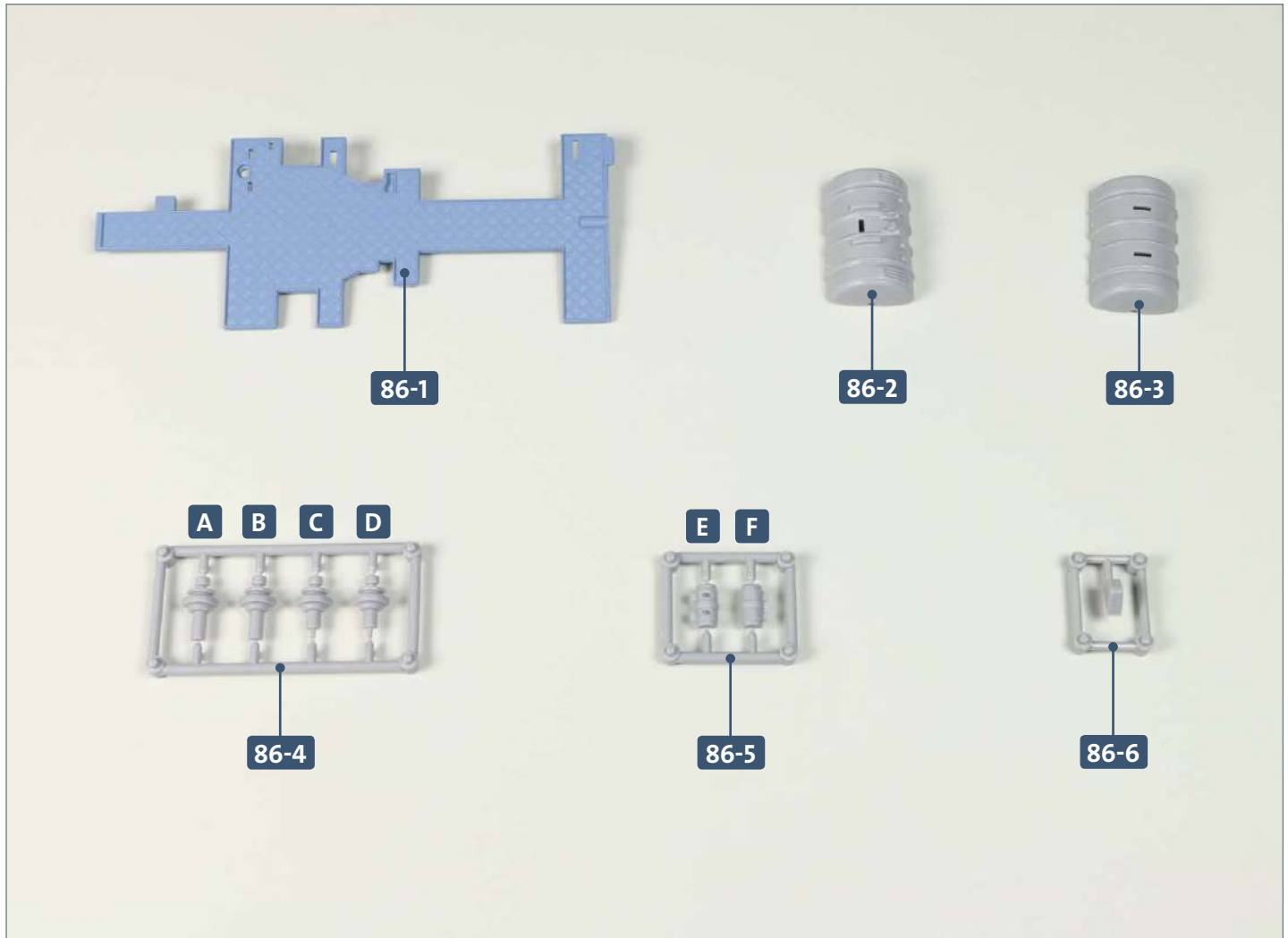
### COMPLETED WORK



You have now completed two assemblies, which will be added to the engine room, along with other modules, in kit 91.

# Kit 86: Port electric motor

In this kit, work on components for the electric motor room continues with the assembly of the port (L) motor. The shaft is mounted and the converter and its bracket are attached to the motor.

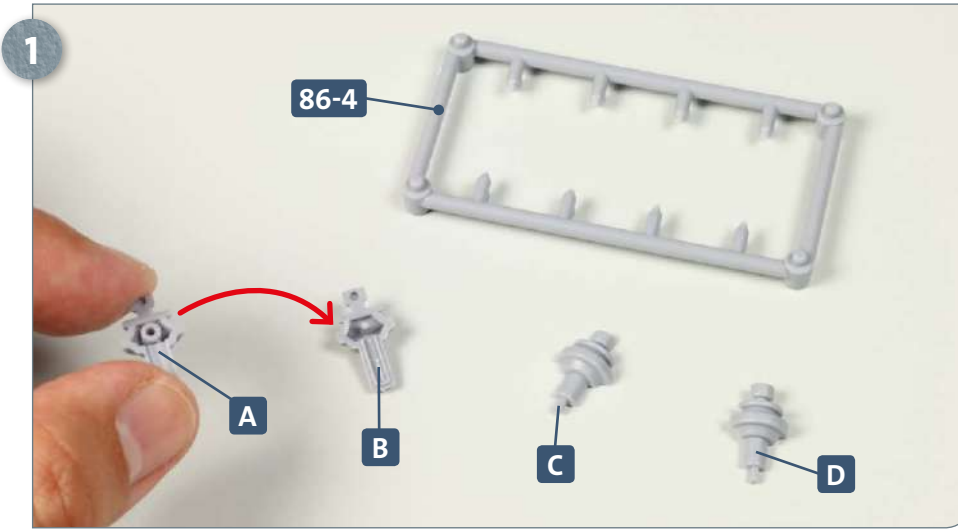


## Parts reference list

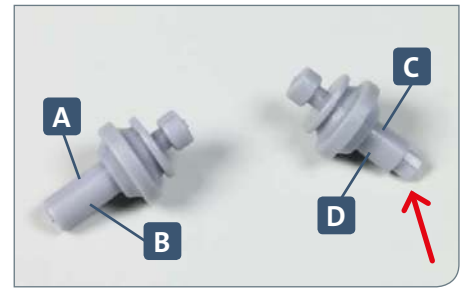
Part no.	Name
86-1	Deck panels for aft torpedo and motor rooms
86-2	Port (L) electric motor
86-3	Port (L) electric motor
86-4	Electric motor shaft
86-5	Converter
86-6	Converter bracket



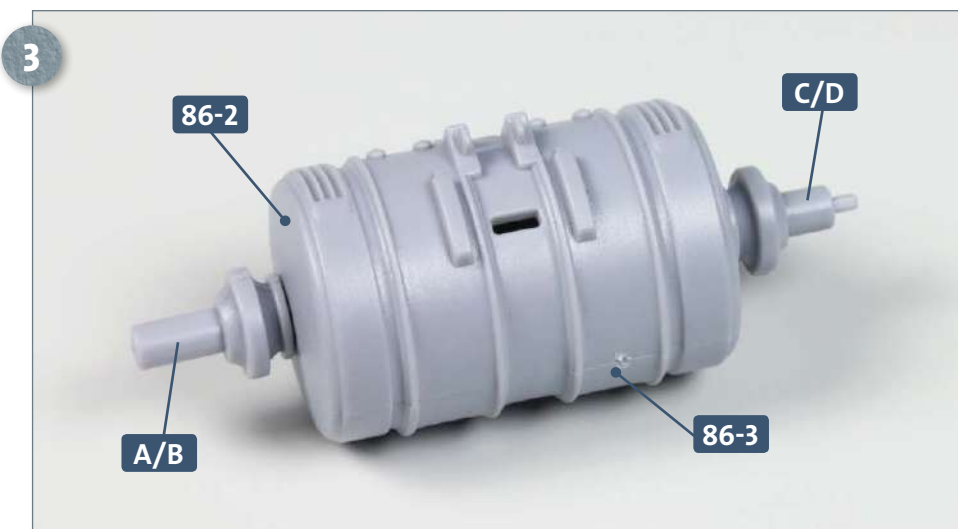
STAGE 1 → Port electric motor



Separate the parts of the shaft, **A**, **B**, **C** and **D**, from frame **86-4**. Apply some glue to the peg of part **B** and join it to part **A**. Do the same with parts **C** and **D**. Note that there is a tab at the end of shaft **C/D** (see arrow, below). This creates two shafts – **A/B** and **C/D** (see inset photo, below).



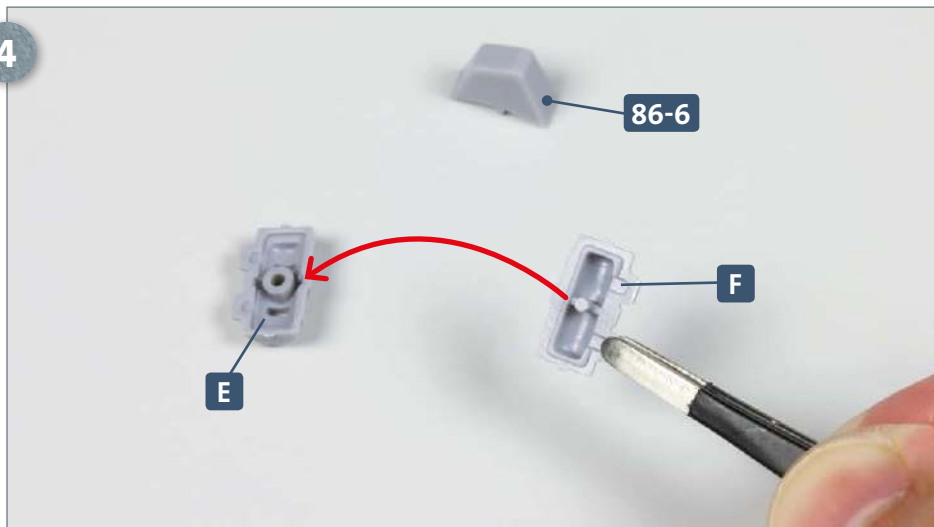
Place the two halves of the port (L) electric motor **86-2** and **86-3** on your work surface. Fit shaft **A/B** into the recess on one side of **86-3** and shaft **C/D** into the recess on the other side of **86-3**, as indicated by the arrow.



After noting the orientation of the parts, apply some glue to the two pegs on the inside of part **86-2** and fit these into the raised sockets of part **86-3**. The photograph shows the assembled motor with shafts **A/B** and **C/D** attached.

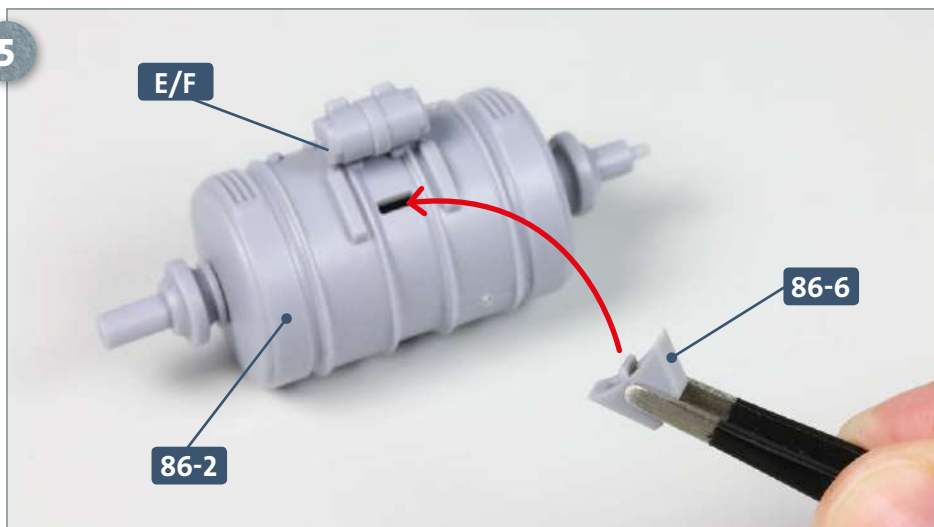
## Kit 86: Port electric motor

4



Separate the bracket **86-6** from the frame. Detach the two halves of the converter, **E** and **F**, from frame **86-5**. Apply a little glue to the peg of part **F** and insert into the hole of part **E**, as shown by the arrow, left.

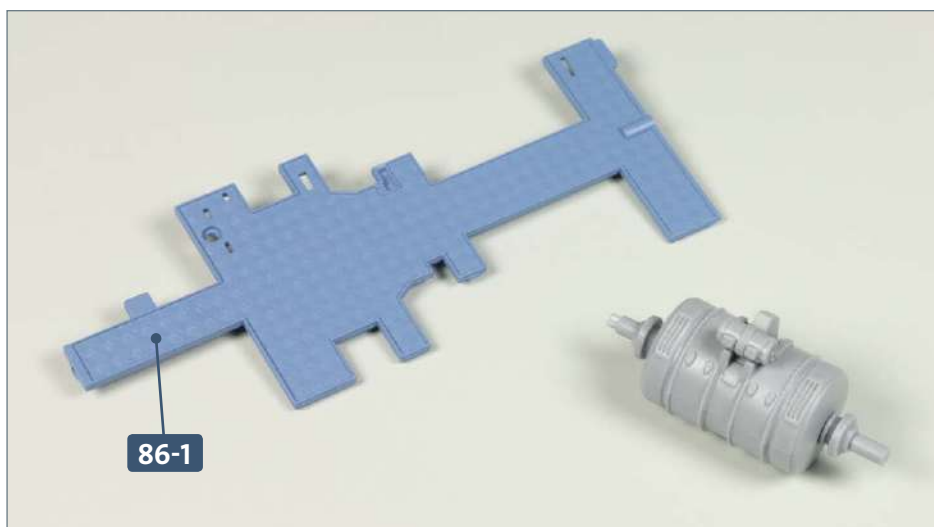
5



Apply glue to the two pegs on the electric motor **86-2**. Take the assembled converter **E/F** and place the two slots of part **E** over the pegs of **86-2**. Apply some glue to the peg of bracket **86-6** and insert into the slot of **86-2**. The inset image, below, shows the assembled bracket.



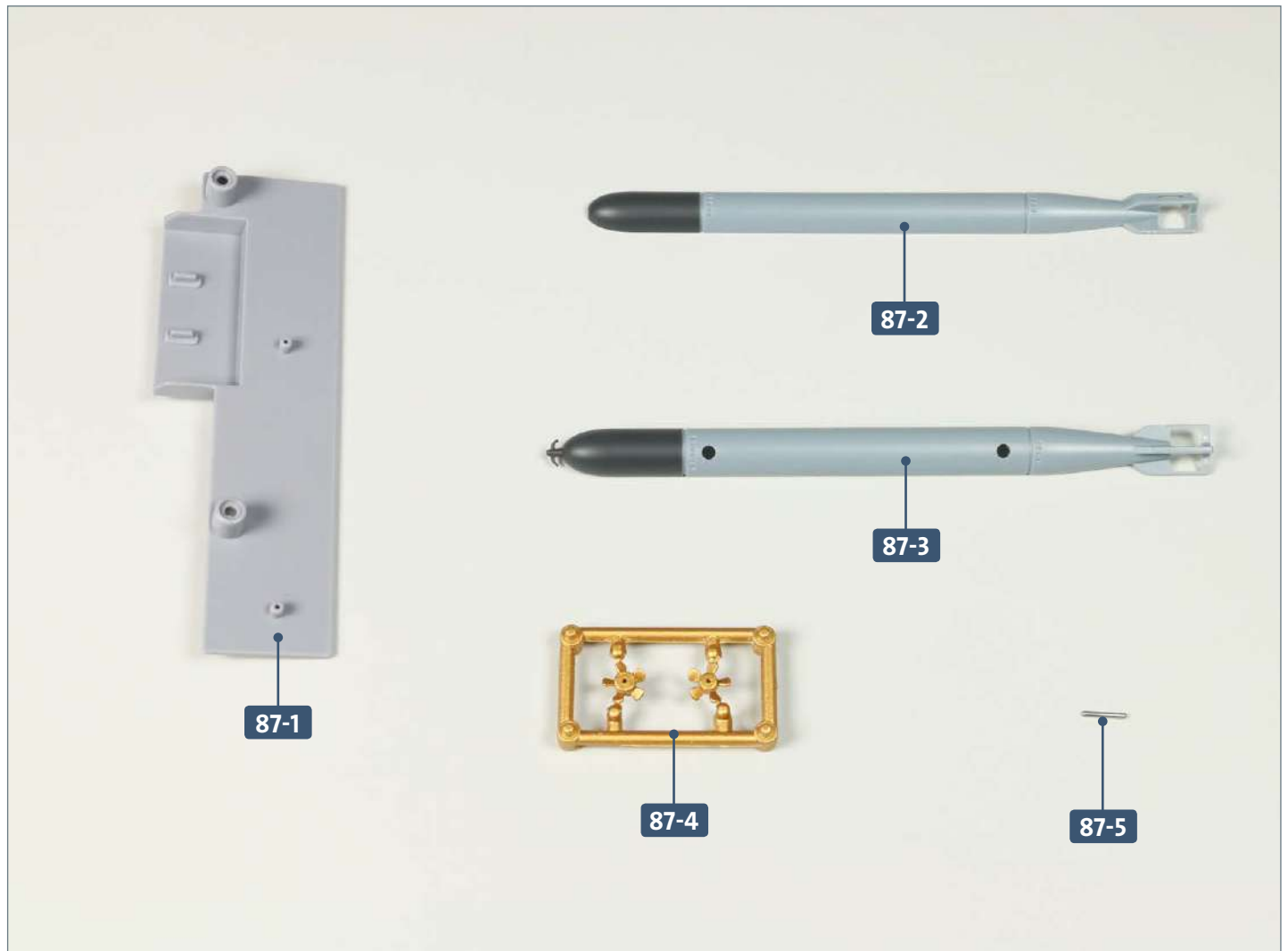
## COMPLETED WORK



The port (L) electric motor is now assembled. The deck plate **86-1** will be used in kit 91.

# Kit 87: Another torpedo

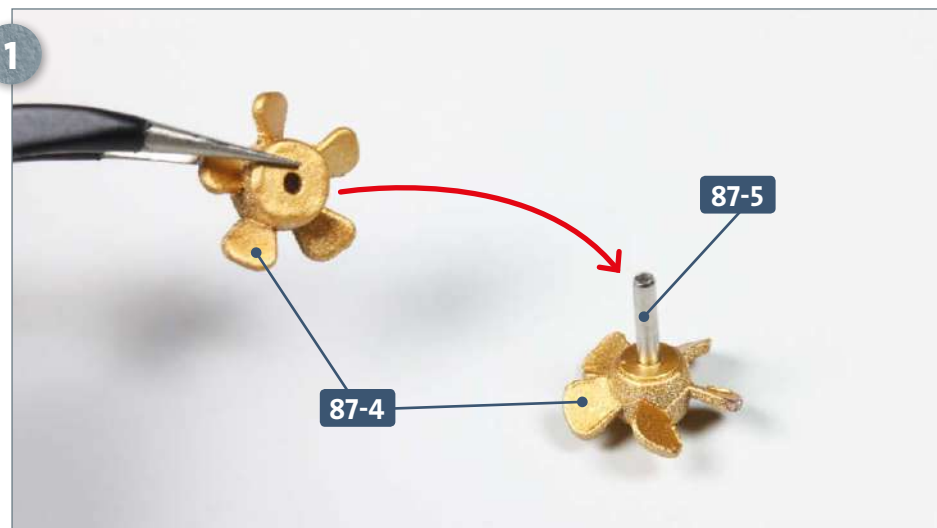
In this kit, you will assemble a torpedo and fit it with a propeller. The torpedo and port (L) electric motor are attached to the deck base plate of the engine room.



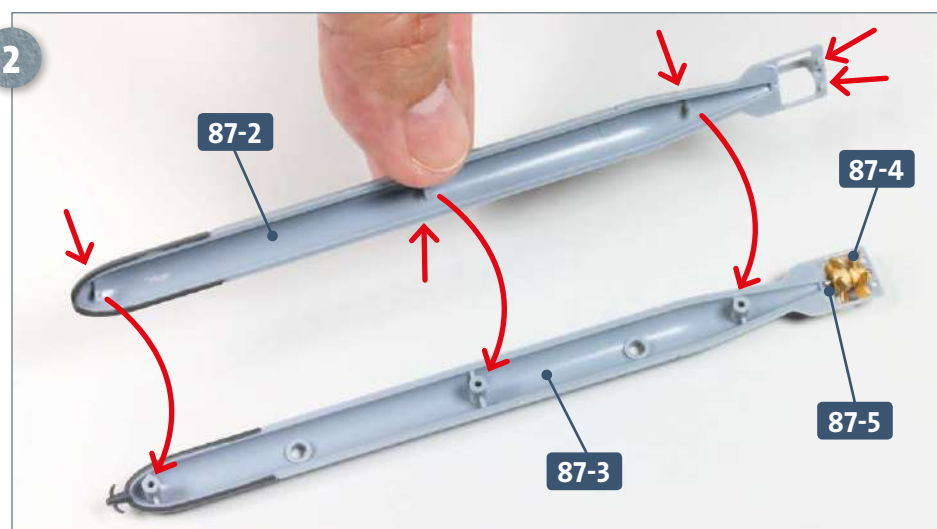
Parts reference list	
Part no.	Name
87-1	Base plate
87-2	Torpedo half
87-3	Torpedo half
87-4	Propeller
87-5	Shaft

## Kit 87: Another torpedo

### STAGE 1 → Assembly and mounting of a torpedo



Separate the two counter-rotating screws from frame **87-4**. Connect the two screws around the shaft **87-5** to form a propeller, as shown.



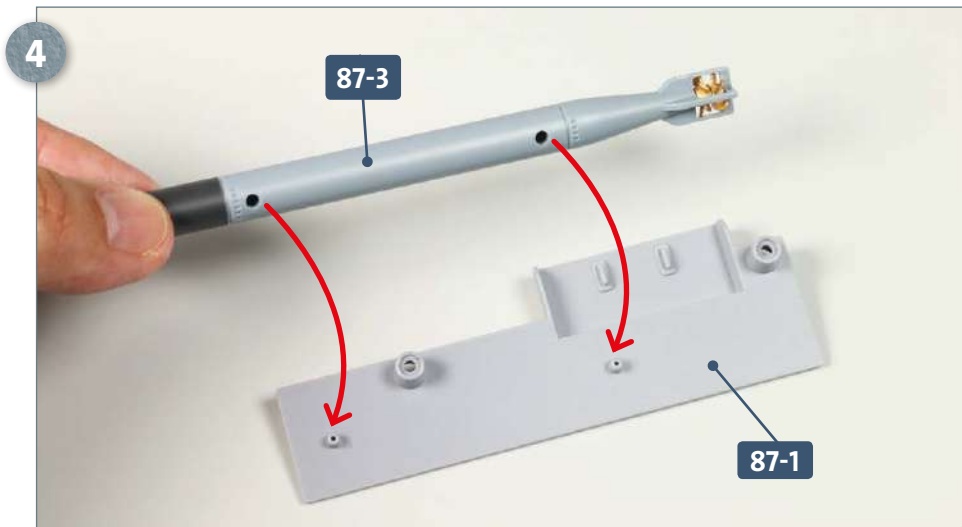
Take torpedo half **87-3** and insert the propeller **87-4** so that the shaft **87-5** sits in the recess in the torpedo. Take the second torpedo half **87-2**, apply some glue to the three small pegs along the length of the torpedo, as well as the two pegs near where the propeller sits, and insert these into the sockets in torpedo half **87-3**, indicated by the long, red arrows.



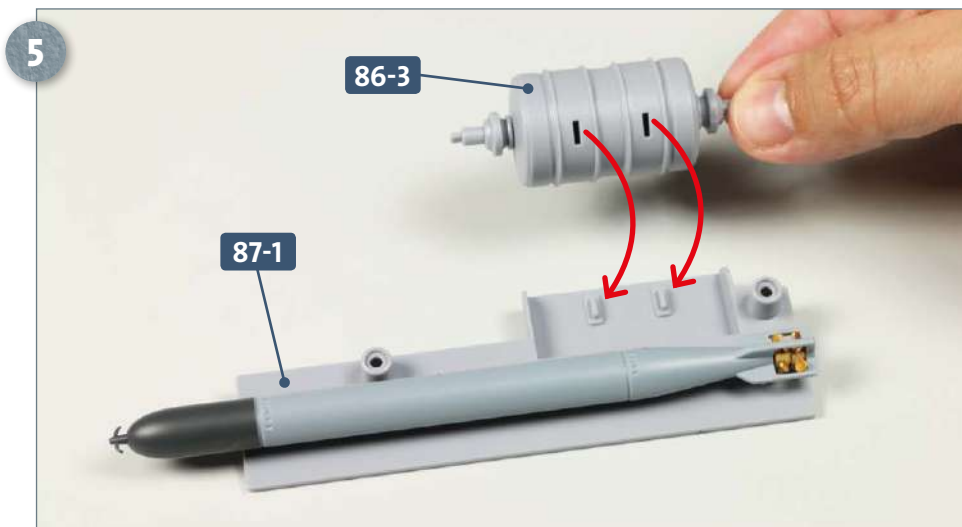
Join the two halves of the torpedo **87-2** and **87-3**, and gently press together.



## Kit 87: Another torpedo



Take the base plate **87-1** and apply some glue to the two small pegs. Take the torpedo **87-3** and fit its holes over the two pegs on the base plate, as indicated by the arrows, left.



After fitting the torpedo **87-3**, note the orientation of the port (L) electric motor **86-3**. Apply a little glue to the two tabs on the base plate **87-1** and attach the electric motor **86-3** as indicated by the arrows.

### COMPLETED WORK



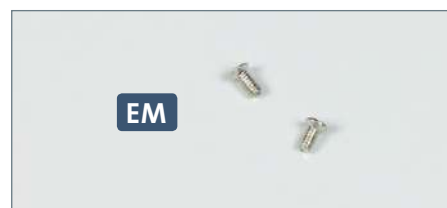
The torpedo and port (L) electric motor are now attached to the base plate.

# Kit 88: Hull section

In this kit, the assembly of the hull continues: a starboard (R) section is fitted with a metal plate and is then attached to the third compartment.



Parts reference list	
Part no.	Name
88-1	Starboard (R) hull section
88-2	Metal plate

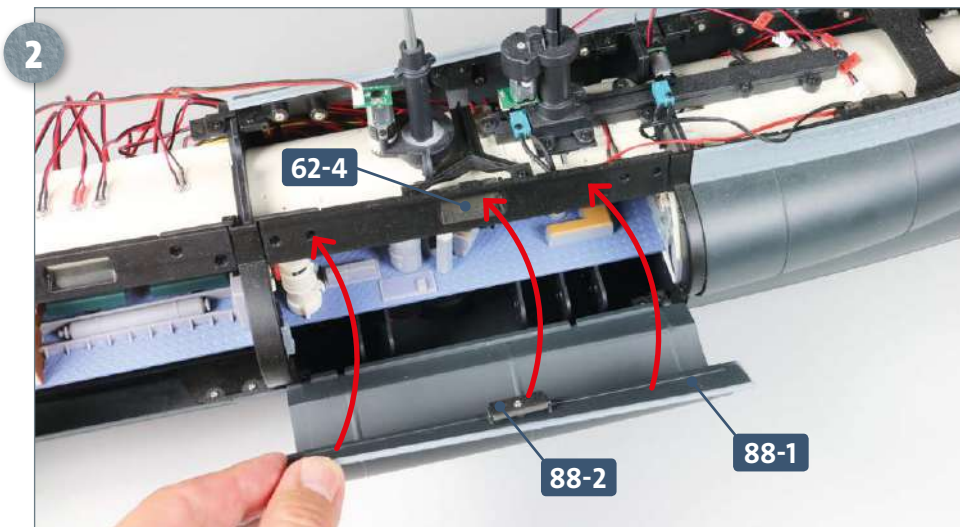


Screws		
Ref	No.	Dimension
EM	1 + 1	2 x 4 mm

**STAGE 1** → Attaching the hull section

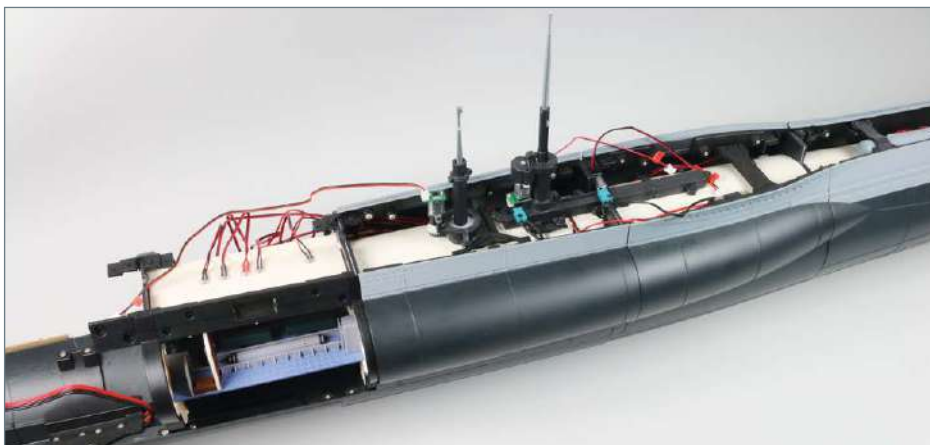


Place the hull section **88-1**, with the inside facing upwards, on your work surface along with an **EM** screw. Place the metal plate **88-2**, with the countersink upwards, on the hull section as indicated by the arrow. Fix the plate in place using the **EM** screw (see inset, below).



Place the main U-Boat assembly on your worktop so that you have access to the starboard (R) side. Fit the lip at the bottom of hull section **88-1** onto the edge of the hull plate below the third compartment. Tilt part **88-1** upwards so that the metal plate **88-2** sits against the magnet **62-4**, as indicated by the middle arrow.

**COMPLETED WORK**



**A third removable hull section has now been attached to the starboard (R) side of the U-Boat.**